

BH-(NL) SERIES - HOSE BARB AND NO LEAD HOSE BARB FITTINGS

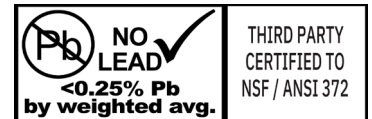
SPECIFICATIONS:

- Made from C69300 no lead brass (BH-NL Series) or C36000 brass (BH Series)
- Pipe threads conform to ANSI/ASME B1.20.1
- Operating temperature range: -40-160 °F (-40-71 °C)
- Maximum Working Pressure: 150 PSI
- Used to connect a wide variety of thermoplastic and natural rubber hoses.
- Common applications include air, water, and cooling lines or other compatible fluid products at low pressure.
- System operating pressures and temperatures are limited by the maximum operating pressures and temperatures of the hose they are attached to. Always refer to the hose manufacturer's pressure and temperature ratings.
- It is solely the end user's responsibility to determine the suitability of the hose fitting for the intended service.



CERTIFICATION:

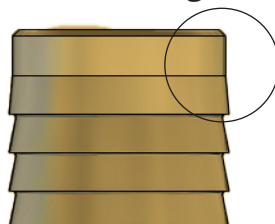
- NSF/ANSI 372 Certified (Drinking Water System Components - Lead Content)
 - BH-NL Series ONLY



FEATURES:

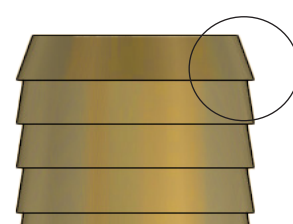
- To identify hose fittings from polyethylene (PE) pipe fittings, look at the lead barb design. Hose fittings are machined with a special lead barb that makes installation into reinforced hoses easier compared to PE pipe fittings which have a tapered lead barb.

Hose Fitting



Straight lead barb

Poly Insert Fitting



Tapered lead barb

BOSHART
INDUSTRIES

© 2020 Boshart Industries Inc. All Rights Reserved.

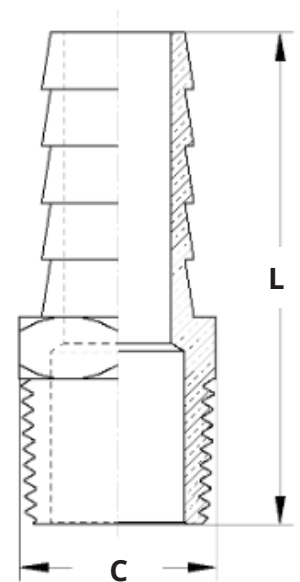
25 Whaley Avenue, PO Box 310, Milverton, ON CANADA N0K 1M0
Tel: 800-561-3164

boshart.com ♦ blog.boshart.com

BII-BH(NL)-0124(2711,604,313)

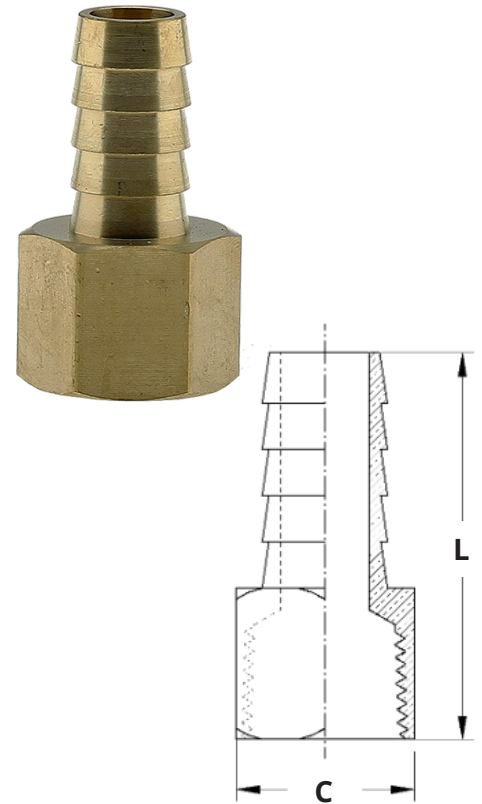
BH(NL)-125 SERIES - BARB x MPT COUPLING

DIMENSIONS						
Brass Part No.	No Lead Brass Part No.	Size (Barb x MPT)	C		L	
			in	mm	in	mm
BH-125-0202	BH-125-0202NL	1/8"x1/8"	0.44	11.1	1.16	29.5
BH-125-0204	BH-125-0204NL	1/8"x1/4"	0.56	14.3	1.14	29.0
BH-125-0302	-	3/16"x1/8"	0.44	11.1	1.26	32.0
BH-125-0304	-	3/16"x1/4"	0.56	14.3	1.34	34.0
BH-125-0402	BH-125-0402NL	1/4"x1/8"	0.44	11.1	1.34	34.0
BH-125-0404	BH-125-0404NL	1/4"x1/4"	0.56	14.3	1.44	36.5
BH-125-0406	BH-125-0406NL	1/4"x3/8"	0.69	17.5	1.48	37.5
BH-125-0408	BH-125-0408NL	1/4"x1/2"	0.87	22.2	1.69	43.0
BH-125-0502	-	5/16"x1/8"	0.44	11.1	1.40	35.5
BH-125-0504	BH-125-0504NL	5/16"x1/4"	0.56	14.3	1.44	36.5
BH-125-0506	BH-125-0506NL	5/16"x3/8"	0.69	17.5	1.52	38.5
BH-125-0602	BH-125-0602NL	3/8"x1/8"	0.44	11.1	1.34	34.0
BH-125-0604	BH-125-0604NL	3/8"x1/4"	0.56	14.3	1.63	41.5
BH-125-0606	BH-125-0606NL	3/8"x3/8"	0.69	17.5	1.52	38.5
BH-125-0608	BH-125-0608NL	3/8"x1/2"	0.87	22.2	1.61	41.0
BH-125-0612	-	3/8"x3/4"	1.06	27.0	1.73	44.0
BH-125-0804	BH-125-0804NL	1/2"x1/4"	0.56	14.3	1.63	41.5
BH-125-0806	BH-125-0806NL	1/2"x3/8"	0.69	17.5	1.73	44.0
BH-125-0808	BH-125-0808NL	1/2"x1/2"	0.87	22.2	1.79	45.5
BH-125-0812	BH-125-0812NL	1/2"x3/4"	1.06	27.0	1.89	48.0
BH-125-1006	-	5/8"x3/8"	0.69	17.5	1.75	44.5
BH-125-1008	BH-125-1008NL	5/8"x1/2"	0.87	22.2	1.79	45.5
BH-125-1012	-	5/8"x3/4"	1.06	27.0	1.89	48.0
BH-125-1206	-	3/4"x3/8"	0.87	22.2	2.07	52.5
BH-125-1208	BH-125-1208NL	3/4"x1/2"	0.87	22.2	1.77	45.0
BH-125-1212	BH-125-1212NL	3/4"x3/4"	1.06	27.0	1.89	48.0
BH-125-1612	-	1"x3/4"	1.06	27.0	2.36	60.1
BH-125-1616	BH-125-1616NL	1"x1"	1.37	34.9	2.32	59.0
BH-125-2016	-	1-1/4"x1"	1.37	34.9	2.55	64.8



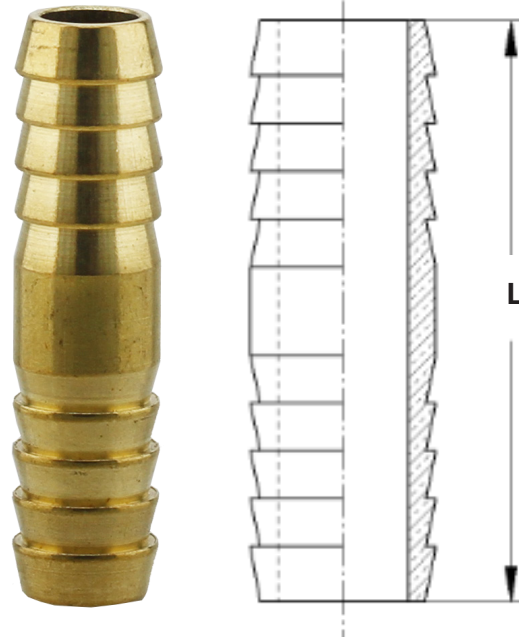
BH-126(NL) SERIES - BARB x FPT COUPLING

DIMENSIONS						
Brass Part No.	No Lead Brass Part No.	Size (BarbxFPT)	C		L	
			in	mm	in	mm
BH-126-0204	-	1/8"x1/4"	0.63	15.9	1.18	30.0
BH-126-0402	-	1/4"x1/8"	0.50	12.7	1.30	33.0
BH-126-0404	BH-126-0404NL	1/4"x1/4"	0.63	15.9	1.42	36.0
BH-126-0506	-	5/16"x3/8"	0.75	19.1	1.42	36.0
BH-126-0602	-	3/8"x1/8"	0.50	12.7	1.30	33.0
BH-126-0604	-	3/8"x1/4"	0.63	15.9	1.42	36.0
BH-126-0606	BH-126-0606NL	3/8"x3/8"	0.75	19.1	1.42	36.0
BH-126-0608	BH-126-0608NL	3/8"x1/2"	0.87	22.2	1.54	39.0
BH-126-0806	-	1/2"x3/8"	0.75	19.1	1.61	41.0
BH-126-0808	BH-126-0808NL	1/2"x1/2"	0.87	22.2	1.65	42.0
BH-126-1212	-	3/4"x3/4"	1.13	28.6	1.77	45.0



BH-129NL SERIES - BARB COUPLING

DIMENSIONS			
No Lead Brass Part No.	Size (BarbxBarb)	L	
		in	mm
BH-129-02NL	1/8"x1/8"	1.26	32.0
BH-129-03NL	3/16"x3/16"	1.46	37.0
BH-129-04NL	1/4"x1/4"	1.67	42.5
BH-129-05NL	5/16"x5/16"	1.67	42.5
BH-129-06NL	3/8"x3/8"	1.67	42.5
BH-129-08NL	1/2"x1/2"	1.67	42.5
BH-129-10NL	5/8"x5/8"	2.19	55.5
BH-129-12NL	3/4"x3/4"	2.19	55.5

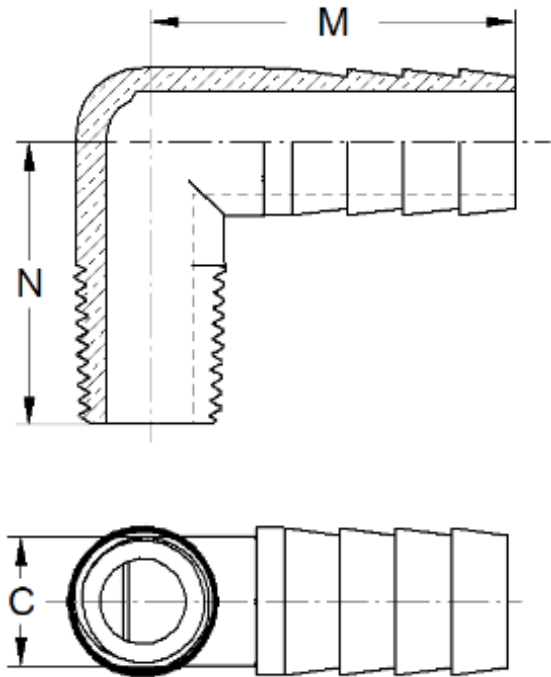
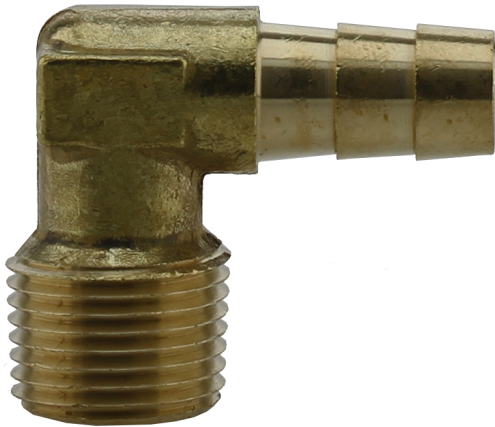


BOSHART
INDUSTRIES

25 Whaley Avenue, PO Box 310, Milverton, ON CANADA N0K 1M0
Tel: 800-561-3164

boshart.com ♦ blog.boshart.com

BH-139(NL) SERIES - BARB x MPT 90° ELBOW



DIMENSIONS								
Brass Part No.	No Lead Brass Part No.	Size (Barb x MPT)	C		M		N	
			in	mm	in	mm	in	mm
BH-139-0402	BH-139-0402NL	1/4" x 1/8"	0.38	9.53	1.00	25.5	0.76	19.4
BH-139-0404	BH-139-0404NL	1/4" x 1/4"	0.38	9.53	1.00	25.5	0.87	22.1
BH-139-0602	-	3/8" x 1/8"	0.47	11.9	1.00	25.5	0.80	20.4
BH-139-0604	BH-139-0604NL	3/8" x 1/4"	0.47	11.9	1.00	25.5	0.87	22.1
BH-139-0606	-	3/8" x 3/8"	0.46	11.8	1.00	25.4	0.91	23.1
BH-139-0608	-	3/8" x 1/2"	0.59	15.0	1.10	27.9	1.10	27.9
BH-139-0804	-	1/2" x 1/4"	0.47	11.9	1.00	25.5	0.88	22.4
BH-139-0806	-	1/2" x 3/8"	0.59	15.0	1.06	27.0	1.10	28.0
BH-139-0808	-	1/2" x 1/2"	0.59	15.0	1.06	27.0	1.15	29.2

For more information on installation, adjustment, repair & operation, visit Boshart Knowledge Base at

SUPPORT.BOSHART.COM



25 Whaley Avenue, PO Box 310, Milverton, ON CANADA N0K 1M0
Tel: 800-561-3164

boshart.com ♦ blog.boshart.com