

# BG-(NL) SERIES - GARDEN HOSE AND NO LEAD GARDEN HOSE FITTINGS

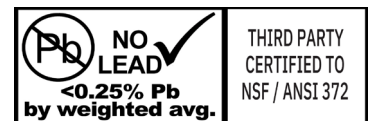


## SPECIFICATIONS:

- Made from C69300 no lead brass (BG-NL Series) or C37800 brass (BG Series)
- Pipe threads conform to ANSI/ASME B1.20.1
- Operating temperature range: 35 -100 °F (1.6 - 37 °C)
- Maximum Working Pressure: 150 PSI at 73 °F (23 °C)
- Used to connect a wide variety of thermoplastic and natural rubber hoses
- Common applications include plumbing and industrial to trailer water supply lines.
- Heavy-duty, crush-proof bodies ensures the fittings are long lasting and durable.
- System operating pressures and temperatures are limited by the maximum operating pressures and temperatures of the hose they are attached to. Always refer to the hose manufacturer's pressure and temperature ratings.
- It is solely the end user's responsibility to determine the suitability of the hose fitting for the intended service.
- Female hose connection ends should have a rubber washer inserted prior to usage.

## CERTIFICATION:

- NSF/ANSI 372 Certified (Drinking Water System Components - Lead Content)
  - BG-NL Series ONLY



**BOSHART**  
INDUSTRIES

© 2020 Boshart Industries Inc. All Rights Reserved.

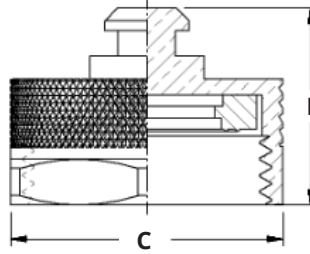
25 Whaley Avenue, PO Box 310, Milverton, ON CANADA N0K 1M0  
Tel: 800-561-3164

[boshart.com](http://boshart.com) ♦ [blog.boshart.com](http://blog.boshart.com)

BII-BG(NL)-0124(2711,604,313)

## BG-200HKC(NL) - FHT CAP WITH CHAIN

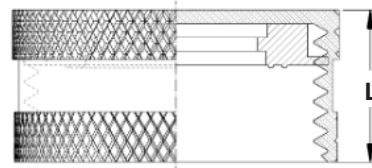
- Hex knurl with washer
- Chain Length: 6.62 inches (168 mm)



DIMENSIONS						
Brass Part No.	No Lead Brass Part No.	Size (FHT)	L		C	
			in	mm	in	mm
BG-200HKC-12	BG-200HKC-12NL	3/4"	0.86	21.8	1.18	30.0

## BG-200(NL) - FHT CAP NUT

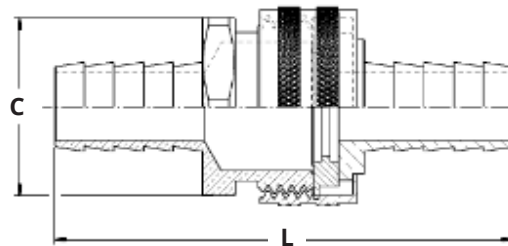
- With washer



DIMENSIONS				
Brass Part No.	No Lead Brass Part No.	Size (FHT)	L	
			in	mm
BG-200-12	BG-200-12NL	3/4"	0.55	14.0

## BG-193-195(NL) SERIES - BARB COUPLING

- With washer



DIMENSIONS						
Brass Part No.	No Lead Brass Part No.	Size (Barb x Barb)	L		C	
			in	mm	in	mm
BG-193-195-06	-	3/8"x3/8"	3.05	77.5	1.06	27.0
BG-193-195-08	BG-193-195-08NL	1/2"x1/2"	2.70	68.6	1.06	27.0
BG-193-195-10	BG-193-195-10NL	5/8"x5/8"	2.75	69.9	1.06	27.0
BG-193-195-12	BG-193-195-12NL	3/4"x3/4"	2.75	69.9	1.06	27.0

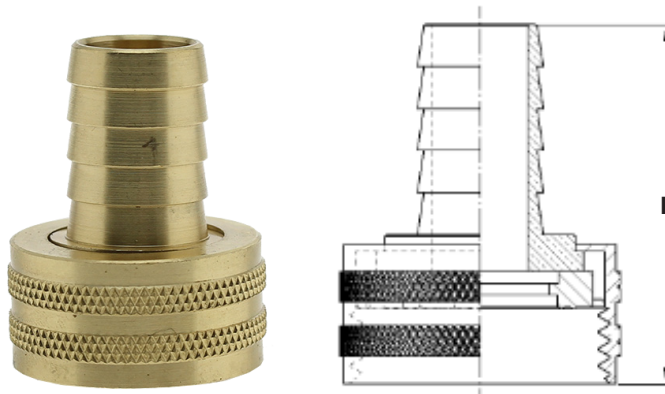
**BOSHART**  
INDUSTRIES

25 Whaley Avenue, PO Box 310, Milverton, ON CANADA N0K 1M0  
Tel: 800-561-3164

[boshart.com](http://boshart.com) ♦ [blog.boshart.com](http://blog.boshart.com)

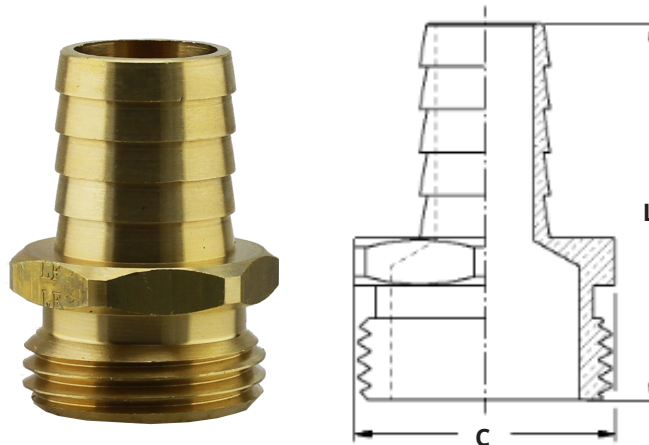
## BG-195(NL) SERIES - BARB x FHT SWIVEL COUPLING

■ With washer



DIMENSIONS				
Brass Part No.	No Lead Brass Part No.	Size (BarbxFHT)	L	
			in	mm
BG-195-0612	BG-195-0612NL	3/8"x3/4"	1.46	37.2
BG-195-0812	BG-195-0812NL	1/2"x3/4"	1.46	37.2
BG-195-1012	BG-195-1012NL	5/8"x3/4"	1.46	37.2
BG-195-1212	BG-195-1212NL	3/4"x3/4"	1.46	37.2

## BG-193(NL) SERIES - BARB x MHT COUPLING



DIMENSIONS						
Brass Part No.	No Lead Brass Part No.	Size (Barb x MHT)	L		C	
			in	mm	in	mm
BG-193-0612	-	3/8"x3/4"	1.88	47.8	1.06	27.0
BG-193-0812	BG-193-0812NL	1/2"x3/4"	1.55	39.4	1.06	27.0
BG-193-1012	BG-193-1012NL	5/8"x3/4"	1.56	39.6	1.06	27.0
BG-193-1212	BG-193-1212NL	3/4"x3/4"	1.56	39.6	1.06	27.0

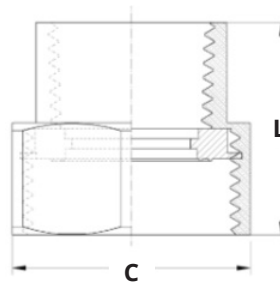
**BOSHART**  
INDUSTRIES

25 Whaley Avenue, PO Box 310, Milverton, ON CANADA N0K 1M0  
Tel: 800-561-3164

[boshart.com](http://boshart.com) ♦ [blog.boshart.com](http://blog.boshart.com)

## BG-198(NL) SERIES - FHT x FPT COUPLING

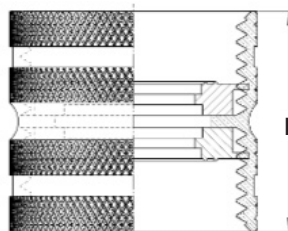
■ With washer



DIMENSIONS						
Brass Part No.	No Lead Brass Part No.	Size (FHTxFPT)	L		C	
			in	mm	in	mm
BG-198-1208	BG-198-1208NL	3/4"x1/2"	1.06	26.9	1.06	27.0
BG-198-1212	BG-198-1212NL	3/4"x3/4"	1.06	26.9	1.18	30.0

## BG-198W - FHT COUPLING

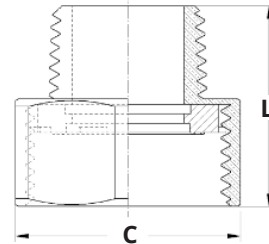
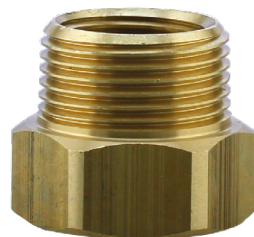
■ With washer



DIMENSIONS			
Brass Part No.	Size (FHTxFHT)	L	
		in	mm
BG-198W-12	3/4"x3/4"	1.06	26.9

## BG-199(NL) SERIES - FHT x MPT COUPLING

■ With washer



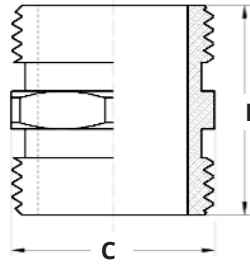
DIMENSIONS						
Brass Part No.	No Lead Brass Part No.	Size (FHTxMPT)	L		C	
			in	mm	in	mm
BG-199-1208	BG-199-1208NL	3/4"x1/2"	1.06	27.0	1.18	30.0
BG-199-1212	BG-199-1212NL	3/4"x3/4"	1.06	27.0	1.18	30.0

**BOSHART**  
INDUSTRIES

25 Whaley Avenue, PO Box 310, Milverton, ON CANADA N0K 1M0  
Tel: 800-561-3164

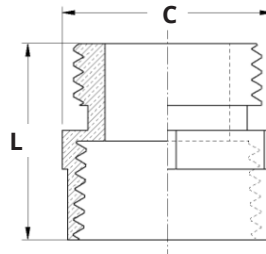
[boshart.com](http://boshart.com) ♦ [blog.boshart.com](http://blog.boshart.com)

## BG-196W(NL) - MHT x MHT COUPLING



DIMENSIONS						
Brass Part No.	No Lead Brass Part No.	Size (MHTxMHT)	L		C	
			in	mm	in	mm
BG-196W-1212	BG-196W-1212NL	3/4"x3/4"	1.10	27.9	1.06	27.0

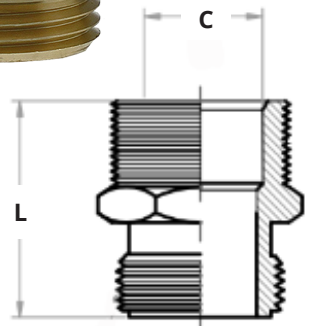
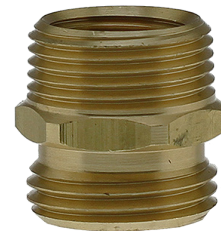
## BG-197(NL) SERIES - MHT x FPT COUPLING



DIMENSIONS						
Brass Part No.	No Lead Brass Part No.	Size (FHTxFPT)	L		C	
			in	mm	in	mm
BG-197-1204	-	3/4"x1/4"	1.10	27.9	1.06	27.0
BG-197-1206	-	3/4"x3/8"	0.75	19.1	1.05	26.7
BG-197-1208	BG-197-1208NL	3/4"x1/2"	0.81	20.6	1.06	27.0
BG-197-1212	BG-197-1212NL	3/4"x3/4"	1.12	28.4	1.19	30.2

## BG-196(NL) SERIES - MHT x MPT COUPLING

DIMENSIONS						
Brass Part No.	No Lead Brass Part No.	Size (MHTxMPT)	C		L	
			in	mm	in	mm
BG-196-1206	-	3/4"x3/8"	1.06	27.0	1.06	27.0
BG-196-1208	BG-196-1208NL	3/4"x1/2"	1.06	27.0	1.06	27.0
BG-196-1212	BG-196-1212NL	3/4"x3/4"	1.06	27.0	1.18	30.0



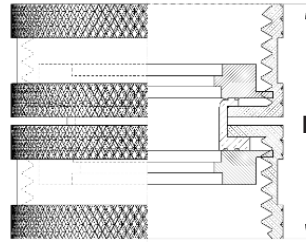
**BOSHART**  
INDUSTRIES

25 Whaley Avenue, PO Box 310, Milverton, ON CANADA N0K 1M0  
Tel: 800-561-3164

[boshart.com](http://boshart.com) ♦ [blog.boshart.com](http://blog.boshart.com)

## BG-203(NL) - FHT x FHT SWIVEL COUPLING

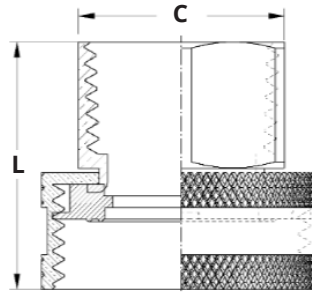
- With washer



DIMENSIONS				
Brass Part No.	No Lead Brass Part No.	Size (FHTxFHT)	L	
			in	mm
BG-203-12	BG-203-12NL	3/4"x3/4"	1.03	26.2

## BG-199S(NL) SERIES - FHT x FPT SWIVEL COUPLING

- With washer

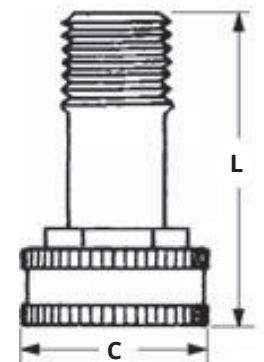


DIMENSIONS						
Brass Part No.	No Lead Brass Part No.	Size (FHTxFPT)	L		C	
			in	mm	in	mm
BG-199S-1208	BG-199S-1208NL	3/4"x1/2"	1.05	26.7	0.88	22.4
BG-199S-1212	BG-199S-1212NL	3/4"x3/4"	1.11	28.2	1.12	28.5

## BG-194 SERIES - FHT x MPT SWIVEL COUPLING

- With washer

DIMENSIONS					
Brass Part No.	Size (FHTxMPT)	C		L	
		in	mm	in	mm
BG-194-1204	3/4"x1/4"	1.05	26.7	1.70	43.2
BG-194-1206	3/4"x3/8"	1.05	26.7	1.20	30.5
BG-194-1208	3/4"x1/2"	1.05	26.7	2.05	52.1



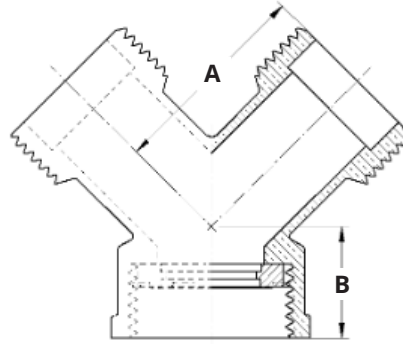
**BOSHART**  
INDUSTRIES

25 Whaley Avenue, PO Box 310, Milverton, ON CANADA N0K 1M0  
Tel: 800-561-3164

[boshart.com](http://boshart.com) ♦ [blog.boshart.com](http://blog.boshart.com)

## BG-202 - MHT x FHT Y COUPLING

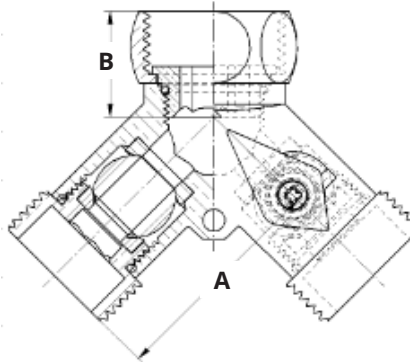
- With washer



DIMENSIONS					
Brass Part No.	Size (MHTxFHT)	A		B	
		in	mm	in	mm
BG-202-12	3/4"x3/4"	1.40	35.6	0.67	17.0

## BG-202V(NL) - MHT x FHT Y VALVE

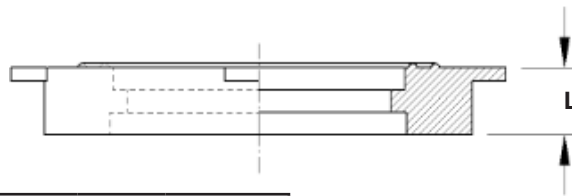
- 1/4 turn ball valve shut-off



DIMENSIONS						
Brass Part No.	No Lead Brass Part No.	Size (MHTxFHT)	A		B	
			in	mm	in	mm
BG-202V-12	BG-202V-12NL	3/4"x3/4"	1.69	42.9	0.94	24.0

## BG-GHW - FHT WASHER

- Made from Styrene-Ethylene-Butylene-Styrene block copolymer (SEBS rubber)



DIMENSIONS			
Part No.	Size (FHT)	L	
		in	mm
BG-GHW-12	3/4"	0.15	3.81

For more information on installation, adjustment, repair & operation, visit Boshart Knowledge Base at

[SUPPORT.BOSHART.COM](http://SUPPORT.BOSHART.COM)



# BOSHART

## INDUSTRIES

© 2020 Boshart Industries Inc. All Rights Reserved.

25 Whaley Avenue, PO Box 310, Milverton, ON CANADA N0K 1M0  
Tel: 800-561-3164

[boshart.com](http://boshart.com) ♦ [blog.boshart.com](http://blog.boshart.com)

BII-BG(NL)-0124(2711,604,313)