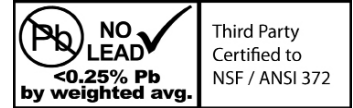


# 08SVD-NL SERIES BRASS CHROME PLATED DUAL OUTLET SUPPLY (STOP) VALVE 1/4 TURN



## SPECIFICATION:

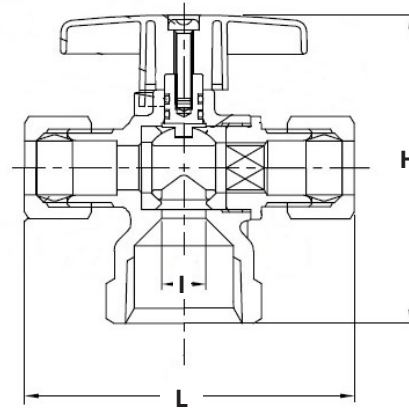
- Threads conform to ANSI/ASME B1.20.1
- Compression connections conform to SAE J512
- Max Pressure Rating: 125 PSI
- Max Temperature Rating: 180°F (82°C)
- Chrome plated no lead brass body
- Stem packing material: Dual O-ring Rubber (NBR)
- Seat material: PTFE
- Chrome plated zinc handle

## CERTIFICATION:

- NSF/ANSI Standard 61 & 372 Certified
- CSA Standard B125.1 Certified



MATERIAL LIST	
Name	Material
Handle Screw	Steel
Handle	Zinc
Stem	No Lead Brass
O-Ring	Rubber EPDM
Compression Ring	No Lead Brass
Compression Nut	No Lead Brass
Body	No Lead Brass
Ball Seat	PTFE
Ball	No Lead Brass
Bonnet	No Lead Brass



DIMENSIONS									
Part No.	Inlet Connection	Outlet Connection	I		L		H		Weight grams
			inches	mm	inches	mm	inches	mm	
08SVD-05F03CPNL	1/2" FPT	3/8" Comp x 3/8" Comp	0.30	7.60	2.21	56.00	2.32	59.00	128.5
08SVD-58CP03CPNL	5/8" Comp	3/8" Comp x 3/8" Comp	0.30	7.60	2.21	56.00	2.32	59.00	128.5



25 Whaley Avenue, PO Box 310, Milverton, ON CANADA N0K 1M0  
Tel: 800-561-3164

[boshart.com](http://boshart.com) ♦ [blog.boshart.com](http://blog.boshart.com)