

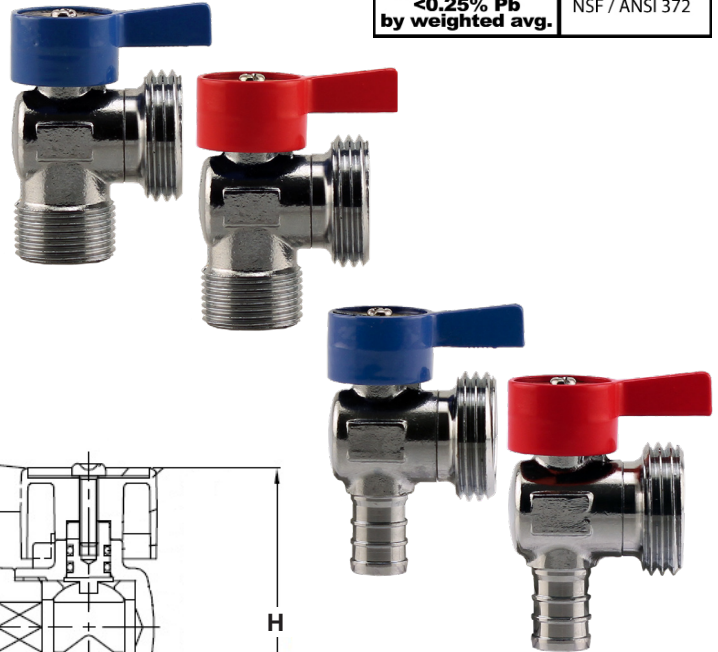
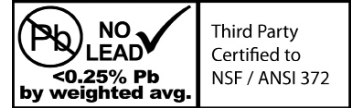
08SVAWMB(R)-NL SERIES CHROME PLATED WASHING MACHINE VALVES - 1/4 TURN

SPECIFICATION:

- Threads conform to ANSI/ASME B1.20.1
- PEX connections conform to ASTM F1807
- Compression connections conform to SAE J512
- Max Pressure Rating: 125 PSI
- Max Temperature Rating: 180°F (82°C)
- Chrome Plated body
- Double EPDM O-Ring Stem Packing
- PTFE Seats
- Zinc Cast Handle - Blue or Red

CERTIFICATION:

- NSF/ANSI Standard 61 & 372 Certified
- CSA Standard B125.1 Certified



MATERIAL LIST	
Name	Material
Handle Screw	Steel
Handle	Zinc
Name Plate	Aluminum
Stem	No Lead Brass
O-Ring	Rubber
Body	No Lead Brass
Ball Disc Packing	PTFE
Ball Disc	No Lead Brass
End Plug	No Lead Brass

DIMENSIONS									
Part No.	Inlet Connection	Outlet Connection	I		H		L		Weight grams
			inches	mm	inches	mm	inches	mm	
Angle Design									
08SVAWMB-58CPNL	5/8" COMP	3/4" GHT	0.30	7.60	2.13	54.00	0.95	24.00	100.5
08SVAWMB-05MNL	1/2" MPT x 1/2" CxC	3/4" GHT	0.30	7.60	2.13	54.00	0.95	24.00	100.5
08SVAWMB-05PNL	1/2" PEX	3/4" GHT	0.30	7.60	2.13	54.00	0.95	24.00	100.5
08SVAWMR-58CPNL	5/8" COMP	3/4" GHT	0.30	7.60	2.13	54.00	0.95	24.00	100.5
08SVAWMR-05MNL	1/2" MPT x 1/2" CxC	3/4" GHT	0.30	7.60	2.13	54.00	0.95	24.00	100.5
08SVAWMR-05PNL	1/2" PEX	3/4" GHT	0.30	7.60	2.13	54.00	0.95	24.00	100.5



25 Whaley Avenue, PO Box 310, Milverton, ON CANADA N0K 1M0
Tel: 800-561-3164

boshart.com ♦ blog.boshart.com