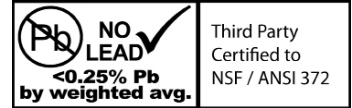


0874NL SERIES NO LEAD BRASS SAMPLING FAUCET

SPECIFICATION:

- Threads conform to ANSI/ASME B1.20.1
- Max Pressure Rating: 125 PSI
- Max Temperature Rating: 160°F (71°C)

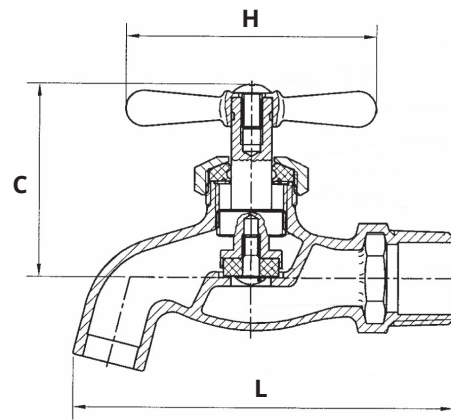
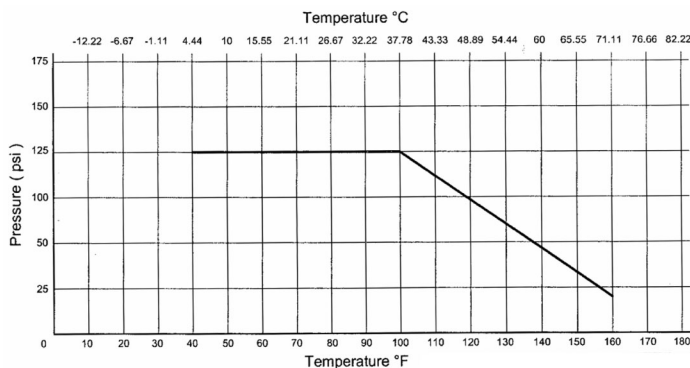


CERTIFICATION:

- NSF/ANSI Standard 61 & 372 Certified



MATERIAL LIST	
Part Name	Material
Handle Bolt	Steel
T-Handle	Zinc Plated Brass
Bonnet	No Lead Brass
Gland Packing	Rubber NBR
Washer	Stainless Steel
Stem	No Lead Brass
Seat Packing	Rubber NBR
Seat Screw	No Lead Brass
Body	No Lead Brass



DIMENSIONS								
Part No.	Description	H		L		C		Weight grams
		inches	mm	inches	mm	inches	mm	
0874-05NL	1/2" MPT	2.21	56.00	1.69	43.00	3.27	83.00	173.70
0874-07NL	3/4" MPT	2.21	56.00	1.69	43.00	3.33	84.50	198.20



25 Whaley Avenue, PO Box 310, Milverton, ON CANADA N0K 1M0
Tel: 800-561-3164

boshart.com ♦ blog.boshart.com