

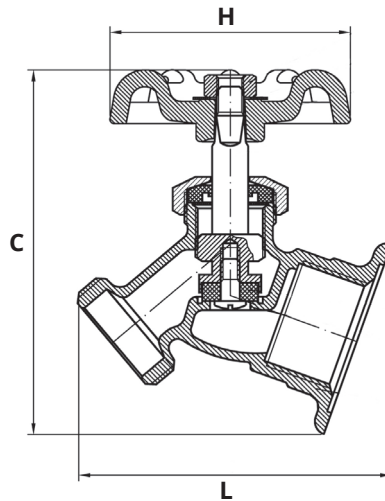
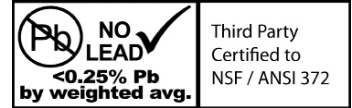
0873(C)NL SERIES NO LEAD BRASS HOSE BIBB SILLCOCK

SPECIFICATION:

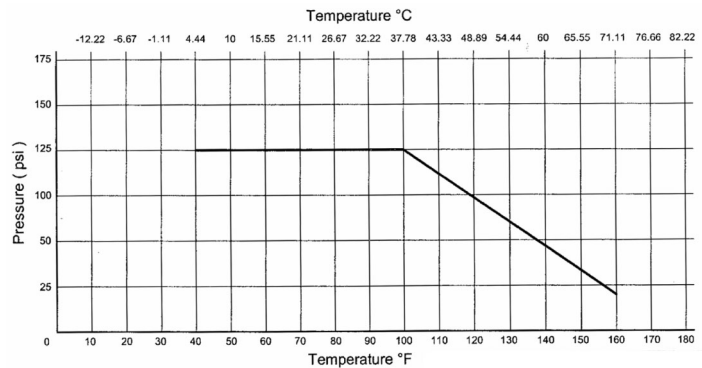
- Threads conform to ANSI/ASME B1.20.1
- Sweat Connection conforms to ANSI B16.18
- Max Pressure Rating: 125 PSI
- Max Temperature Rating: 160°F (71°C)
- Hose thread outlet 3/4" GHT
- Black Cast Hand Wheel

CERTIFICATION:

- NSF/ANSI Standard 372 Certified
- CSA Standard B125.1 Certified



MATERIAL LIST	
Part Name	Material
Wheel Nut	Steel
Name Plate	Aluminum
Handle Wheel	Steel
Stem	No Lead Brass
Bonnet	No Lead Brass
Packing	Rubber NBR
Washer	Stainless Steel
Seat Packing	Rubber NBR
Seat Screw	No Lead Brass
Body	No Lead Brass



DIMENSIONS								
Part No.	Description	H		L		C		Weight grams
		inches	mm	inches	mm	inches	mm	
0873-05NL	1/2" FPT	2.11	53.50	3.07	78.00	2.72	69.00	218
0873-07NL	3/4" FPT	2.11	53.50	3.21	81.50	2.75	69.70	232
0873C-05NL	1/2" CxC	2.11	53.50	3.07	78.00	2.72	69.00	226



25 Whaley Avenue, PO Box 310, Milverton, ON CANADA N0K 1M0
Tel: 800-561-3164

boshart.com ♦ blog.boshart.com