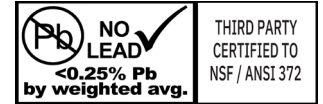


0871NL SERIES NO LEAD ROUGH BRASS HOSE BIBB

SPECIFICATION:

- Inlet Threads conform to ANSI/ASME B1.20.1
- 1/2" has combination MPT & 1/2" solder inlet connection
- Solder ends comply with ANSI B16.18
- Max Pressure Rating: 125 PSI
- Max Temperature Rating: 248°F (120°C)
- Hose thread outlet 3/4" GHT

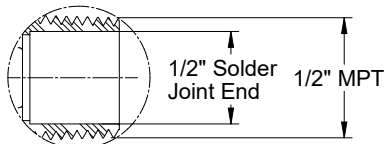
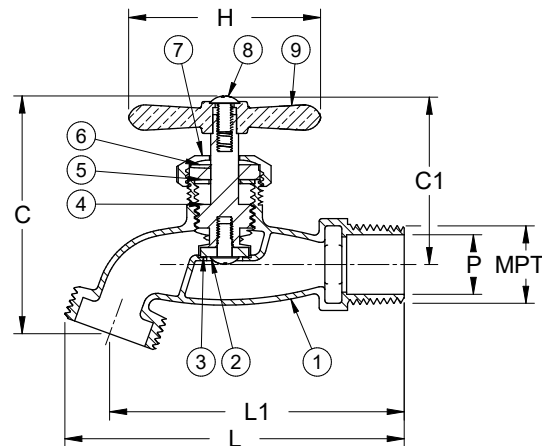


CERTIFICATION:

- NSF/ANSI Standard 61 & 372 Certified



MATERIAL LIST		
Part No.	Part Name	Material
1	Valve Body	C46400 NL Brass
2	Seat Screw	SS304 Stainless Steel / C27000 NL Brass
3	Seat	Rubber NBR
4	Stem	C46400 NL Brass
5	Washer	SS304 Stainless Steel
6	Packing	Rubber NBR
7	Packing Nut	C36000 NL Brass
8	Handle Screw	Brass Plated Steel
9	Handle	Green Powder Coated Zinc-ASTM B86-AC41



0871-05NL Inlet End

DIMENSIONS															
Part No.	Inlet Connection	P		H		C		C1 (Open)		L		L1		Weight	
		inches	mm	inches	mm	inches	mm	inches	mm	inches	mm	inches	mm	grams	lbs
0871-05NL	1/2" MPT x C	0.63	16.00	2.05	52.00	2.74	69.50	1.89	48.00	3.53	89.50	3.03	77.00	154	0.340
0871-07NL	3/4" MPT	0.79	20.00	2.05	52.00	2.74	69.50	1.89	48.00	3.53	89.50	3.03	77.00	185	0.408



25 Whaley Avenue, PO Box 310, Milverton, ON CANADA N0K 1M0
Tel: 800-561-3164

boshart.com ♦ blog.boshart.com