

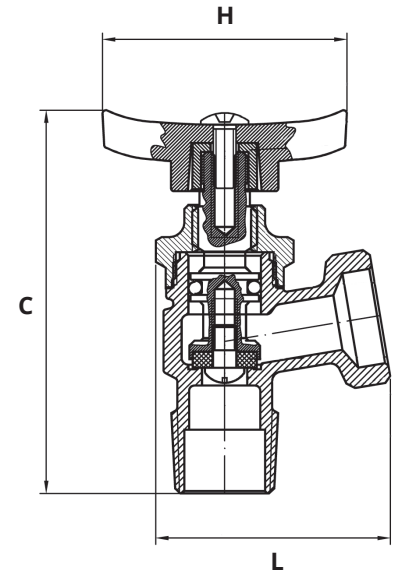
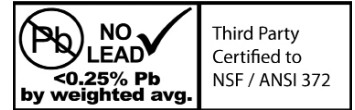
# 0845SF-NL SERIES NO LEAD BRASS SEDIMENT FAUCETS - O-RING DESIGN

## SPECIFICATION:

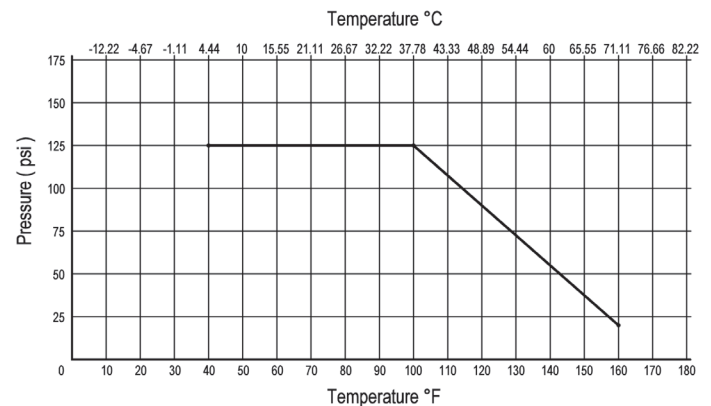
- Inlet threads conform to ANSI/ASME B1.20.1
- Outlet thread is 3/4" GHT
- Max Pressure Rating: 125 PSI
- Max Temperature Rating: 160°F (71°C)
- With O-ring design, the seal is below the threads and never exposed to water. Traditional packing style valves are constantly submerged in water and become corroded quicker in aggressive water conditions.
- To prevent damage to NBR O-rings, stem must be removed before soldering.

## CERTIFICATION:

- NSF/ANSI Standard 372 Certified
- CSA Standard B125.1 Certified



MATERIAL LIST	
Part Name	Material
Handle Bolt	Steel
Handle	Triangular-ABS
Handle Seat	Polycarbonate
Stem	No Lead Brass
Bonnet	No Lead Brass
O-Ring	Rubber NBR
Seat Packing	Rubber NBR
Seat Screw	No Lead Brass
Body	No Lead Brass



DIMENSIONS								
Part No.	Description	H		C		L		Weight grams
		inches	mm	inches	mm	inches	mm	
0845SF-05NL	1/2" MPT	1.91	48.50	3.00	76.20	1.84	46.60	161
0845SF-07NL	3/4" MPT	1.91	48.50	3.00	76.20	1.84	46.60	174



25 Whaley Avenue, PO Box 310, Milverton, ON CANADA N0K 1M0  
Tel: 800-561-3164

[boshart.com](http://boshart.com) ♦ [blog.boshart.com](http://blog.boshart.com)