

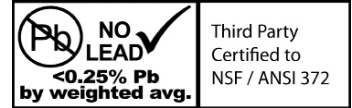
0844CPRNL SERIES NO LEAD BRASS STOP & WASTE VALVES (COMPRESSION)

SPECIFICATION:

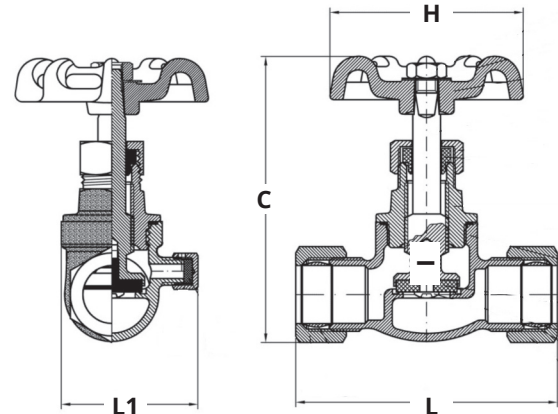
- Compression connection conform to SAE J512
- Max Pressure Rating: 125 PSI
- Max Temperature Rating: 180°F (82°C)
- Integral drain port to allow system draining
- Black cast hand wheel

CERTIFICATION:

- NSF/ANSI Standard 61 & 372 Certified
- CSA Standard B125.1 Certified



MATERIAL LIST	
Name	Material
Wheel Nut	Steel
Name Plate	Aluminum
Handwheel	Steel
Stem	No Lead Brass
Packing Nut	No Lead Brass
Packing	Rubber (NBR)
Bonnet	No Lead Brass
Stem Packing	Fibre "H"
Body	No Lead Brass
Seat Packing	Rubber (NBR)
Seat Screw	No Lead Brass
Sleeve	No Lead Brass
Nipple Nut	No Lead Brass



DIMENSIONS										
Part No.	Nominal Size	H		C		L		L1		Weight grams
		inches	mm	inches	mm	inches	mm	inches	mm	
0844CPR-05NL	1/2"	2.11	53.50	3.14	79.60	2.84	72.00	1.48	37.90	269
0844CPR-07NL	3/4"	2.11	53.50	3.32	84.20	2.98	75.70	1.70	43.60	346



25 Whaley Avenue, PO Box 310, Milverton, ON CANADA N0K 1M0
Tel: 800-561-3164

boshart.com ♦ blog.boshart.com