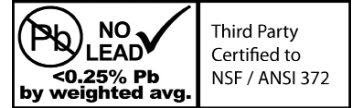


0828NL SERIES NO LEAD BRASS FULL PORT MINI BALL VALVE (THREADED)

SPECIFICATION:

- Threads conform to ANSI/ASME B1.20.1
- Max Pressure Rating: 600 PSI CWP
- CWP - Cold Working Pressure, is an indication of the pressure rating for valves at a temperature of up to +100°F (37°C)
- Max Temperature Rating: 180°F (82°C)
- Forged Brass Body
- Blow-out proof stem
- Red Tee Handle

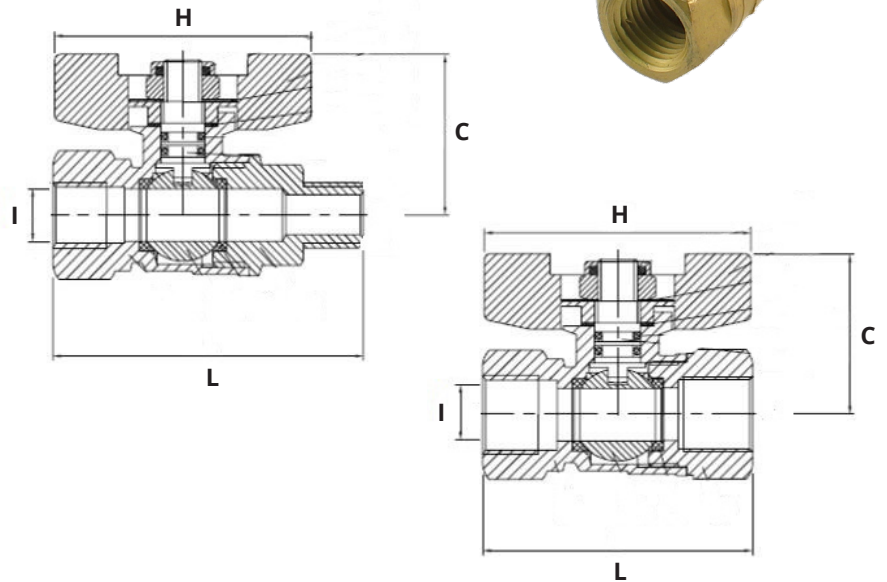


CERTIFICATION:

- NSF/ANSI Standard 372 Certified



MATERIAL LIST	
Part Name	Material
Nut	Steel
Handle	Zinc
Name Plate	Aluminum
Washer	PTFE
O-Ring	Rubber
Stem	Brass
Bonnet	No Lead Brass
Seat Seal	PTFE
Ball	No Lead Brass
Body	No Lead Brass



DIMENSIONS										
Part No.	Description	I		L		C		H		Weight grams
		inches	mm	inches	mm	inches	mm	inches	mm	
0828-01NL	1/8" FPT x FPT	0.30	7.61	1.62	41.00	0.97	24.50	1.58	40.00	95
0828-02NL	1/4" FPT x FPT	0.30	7.61	1.62	41.00	0.97	24.50	1.58	40.00	95
0828-01M01FNL	1/8" MPT x 1/8" FPT	0.30	7.61	1.93	49.00	0.97	24.50	1.58	40.00	87.5
0828-01M02FNL	1/8" MPT x 1/4" FPT	0.30	7.61	1.93	49.00	0.97	24.50	1.58	40.00	92.5
0828-02M02FNL	1/4" MPT x 1/4" FPT	0.30	7.61	1.93	49.00	0.97	24.50	1.58	40.00	85.5



25 Whaley Avenue, PO Box 310, Milverton, ON CANADA N0K 1M0
Tel: 800-561-3164

boshart.com ♦ blog.boshart.com