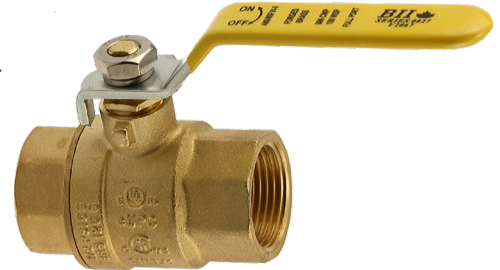


# 0827 SERIES FORGED BRASS FULL PORT BALL VALVE (THREADED)

## SPECIFICATION:

- Threads conform to ANSI / ASME B1.20.1
- Rated 600 PSI CWP -Cold Working Pressure is an indication of the pressure rating for valves at a temperature range of up to +100°F (37°C)
- Working Temperature: -20°F to 300°F (-28°C to 149°C)
- Full port
- Forged brass body
- Blow-out proof stem
- Solid Chrome Plated Brass Ball - sizes 1/4" through 1"
- Hollow Stainless Steel Ball - sizes 1-1/4" through 4"
- Zinc plated steel handle with yellow plastic sleeve

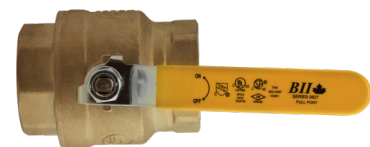
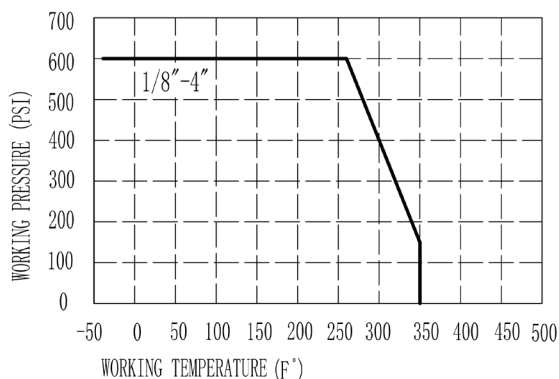


## CERTIFICATION:

- cUPC Standard Z1157 Certified
- CSA listed to the following standards,
  - ANSI Z21.15 & CGA 9.1: 1/2 PSIG (1/2 PSI)
  - ASME B16.44 & CGA/CR91-002: 5 PSIG (5G)
  - ASME B16.38 & CAN/CGA 3.16 : 125 PSIG (BRS125G / CAN 3.16)
- UL listed to the following standards,
  - UL 1477 (YQNZ): Compressed gas shutoff valves - 600 PSI (1/4" to 1") 300 PSI (1-1/4" to 2")250PSI (2-1/2"-4")
  - UL 842 (YRBX): Flammable liquid shutoff valves - 600 PSI (1/4" to 1") 300 PSI (1-1/4" to 2")250PSI (2-1/2"-4")
  - UL 842 (YRPV): Gas shutoff valves - 600 PSI (1/4" to 1") 300 PSI (1-1/4" to 2")250PSI (2-1/2"-4")
  - UL 842 (MHKZ): Manual valves - 600 PSI (1/4" to 1") 300 PSI (1-1/4" to 2")250PSI (2-1/2"-4")
  - UL 125 (YSDT): LP-Gas shutoff valves - 600 PSI (1/4" to 1") 300 PSI (1-1/4" to 2")250PSI (2-1/2"-4")
- FM Standard 1140 Certified: 1/4" to 2" FPT
- CRN Registered



PRESSURE & TEMPERATURE RATING



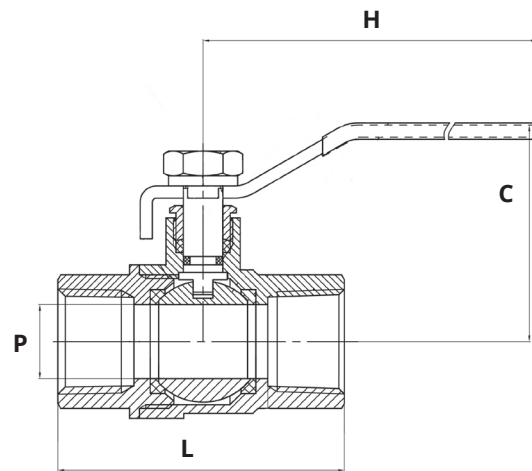
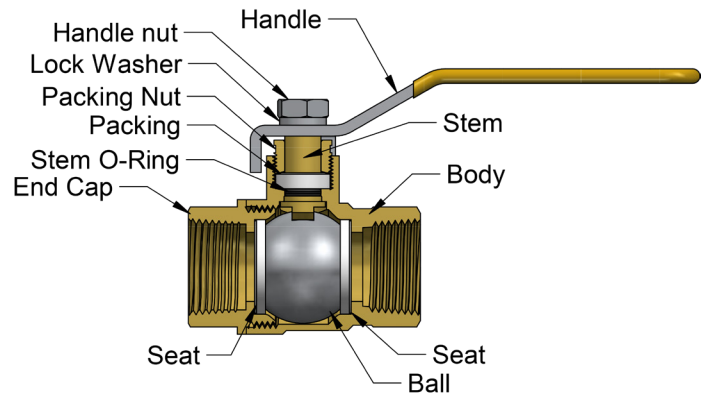
**BOSHART**  
INDUSTRIES

25 Whaley Avenue, PO Box 310, Milverton, ON CANADA N0K 1M0  
Tel: 800-561-3164

[boshart.com](http://boshart.com) ♦ [blog.boshart.com](http://blog.boshart.com)

# 0827 SERIES FORGED BRASS FULL PORT BALL VALVE (THREADED)

MATERIAL LIST	
Part Name	Material
Body/End Cap	C37700 Brass
Seat	PTFE
Ball	C37700 Chrome Plated Brass (1/4"-1")
	SS304 Stainless Steel (1-1/4"-4")
Stem O-Ring	NBR Rubber
Packing Nut	C37700 Brass
Stem	C37700 Brass (1/4" - 2")
	SS304 Stainless Steel (2-1/2" - 4")
Handle Nut	Zinc Plated Steel
Lock Washer	Zinc Plated Steel
Packing	PTFE
Handle	Zinc Plated Steel



DIMENSIONS											
Part No.	Description	Cv Rating	P (Port)		L		H		C		Weight grams
			inches	mm	inches	mm	inches	mm	inches	mm	
0827-02	1/4" FPT	8.23	0.39	10.00	1.73	44.00	3.46	88.00	1.68	42.70	138
0827-03	3/8" FPT	8.23	0.39	10.00	1.75	44.50	3.46	88.00	1.68	42.70	137
0827-05	1/2" FPT	18.55	0.59	15.00	2.24	57.00	3.46	88.00	1.81	46.00	204
0827-07	3/4" FPT	29.76	0.75	19.00	2.52	64.00	4.29	109.00	2.09	53.20	338
0827-10	1" FPT	51.55	0.98	25.00	2.97	75.50	4.29	109.00	2.25	57.20	518
0827-12	1-1/4" FPT	84.42	1.26	32.00	3.44	87.50	5.63	143.00	2.53	64.20	813
0827-15	1-1/2" FPT	131.93	1.57	40.00	3.88	98.50	5.63	143.00	2.74	69.70	1094
0827-20	2" FPT	200.35	1.94	49.30	4.29	109.00	5.63	143.00	3.04	77.20	1650
0827-25	2-1/2" FPT	338.43	2.52	64.00	9.45	240.03	5.22	132.59	4.72	119.89	3317
0827-30	3" FPT	445.44	2.89	73.50	9.45	240.03	5.77	146.56	5.32	135.13	4457
0827-40	4" FPT	783.88	3.84	97.50	9.53	242.06	7.38	187.45	5.70	144.78	8359

**BOSHART**  
INDUSTRIES

25 Whaley Avenue, PO Box 310, Milverton, ON CANADA N0K 1M0  
Tel: 800-561-3164

[boshart.com](http://boshart.com) ♦ [blog.boshart.com](http://blog.boshart.com)