

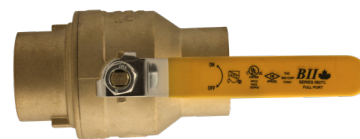
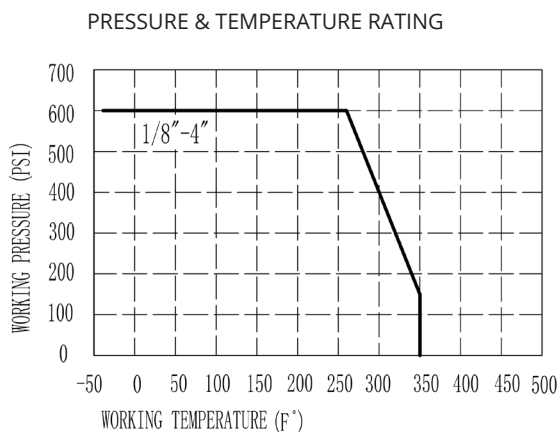
0827C SERIES FORGED BRASS FULL PORT BALL VALVE (CxC)

SPECIFICATION:

- Solder ends comply with ANSI B16.22
- Rated 600 PSI CWP -Cold Working Pressure is an indication of the pressure rating for valves at a temperature range of up to +100°F (37°C)
- Working Temperature: -20°F to 300°F (-28°C to 149°C)
- Full port
- Forged brass body
- Blow-out proof stem
- Solid Chrome Plated Brass Ball - sizes 1/2" through 1"
- Hollow Stainless Steel Ball - sizes 1-1/4" through 4"
- Zinc plated steel handle with yellow plastic sleeve

CERTIFICATION:

- cUPC Standard Z1157 Certified
- FM Standard 1140 Certified: 1/2" to 2" CxC
- CRN Registered



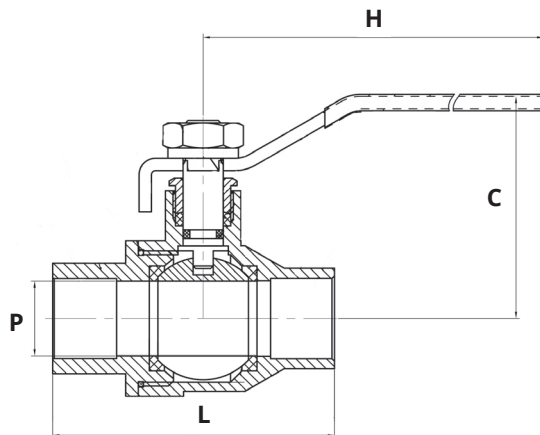
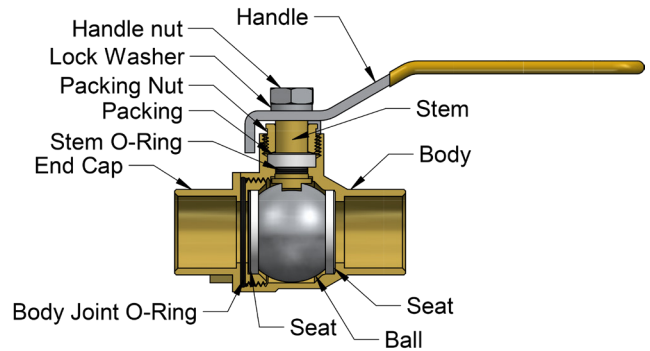
BOSHART
INDUSTRIES

25 Whaley Avenue, PO Box 310, Milverton, ON CANADA N0K 1M0
Tel: 800-561-3164

boshart.com ♦ blog.boshart.com

0827C SERIES FORGED BRASS FULL PORT BALL VALVE (CxC)

MATERIAL LIST	
Part Name	Material
Body/ End Cap	C37700 Brass
Seat	PTFE
Ball	C37700 Chrome Plated Brass (1/2"-1")
	SS304 Stainless Steel (1-1/4"-4")
Stem O-Ring	NBR Rubber
Packing Nut	C37700 Brass
Stem	C37700 Brass (1/2" - 2")
	SS304 Stainless Steel (2-1/2" - 4")
Handle Nut	Zinc Plated Steel
Lock Washer	Zinc Plated Steel
Packing	PTFE
Handle	Chrome Plated Steel
Body Joint O-Ring	Viton Rubber



DIMENSIONS												
Part No.	Description	Cv Rating	P (Port)		L		H		C		Weight grams	
			inches	mm	inches	mm	inches	mm	inches	mm		
0827C-05	1/2" CxC	18.55	0.59	15.00	2.17	55.00	3.46	88.00	1.81	46.00	184	
0827C-07	3/4" CxC	29.76	0.75	19.00	2.81	71.50	4.29	109.00	2.09	53.20	306	
0827C-10	1" CxC	51.55	0.98	25.00	3.34	84.80	4.29	109.00	2.25	57.20	464	
0827C-12	1-1/4" CxC	84.42	1.26	32.00	3.91	99.40	5.63	143.00	2.53	64.20	717	
0827C-15	1-1/2" CxC	131.93	1.57	40.00	4.46	113.40	5.63	143.00	2.74	69.70	1071	
0827C-20	2" CxC	200.35	1.94	49.30	5.45	138.50	5.63	143.00	3.04	77.20	1618	
0827C-25	2-1/2" CxC	338.43	2.52	64.00	5.22	132.60	9.45	240.00	4.72	119.90	3220	
0827C-30	3" CxC	445.44	2.89	73.50	5.77	146.60	9.45	240.00	5.32	135.10	3990	
0827C-40	4" CxC	783.88	3.84	97.50	7.38	187.50	9.53	242.10	5.70	144.80	8018	

BOSHART
INDUSTRIES

25 Whaley Avenue, PO Box 310, Milverton, ON CANADA N0K 1M0
Tel: 800-561-3164

boshart.com ♦ blog.boshart.com