

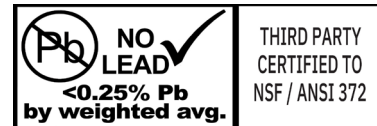
0825NL & 0825CNL SERIES - NO LEAD FORGED FULL PORT BRASS BALL VALVE

SPECIFICATIONS:

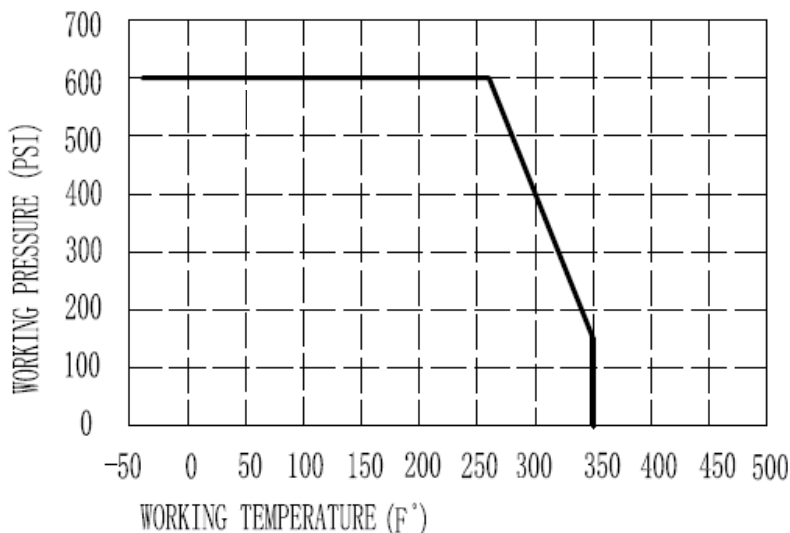
- Maximum Working Pressure: 600 WOG
- Full port
- Forged brass body
- Blow out proof stem design
- Chrome plated steel handle with vinyl grip
- Temperature Rating: -20 to 300 °F (-28 to 148 °C)
- Solid ball (1/4" - 1")
- Hollow ball (1-1/4" - 2")

CERTIFICATIONS:

- NSF/ANSI 372 Certified (No lead (NL) test criteria <0.25% Pb by weighted average) and meets SDWA no lead requirements
- NSF/ANSI 61 Certified - Drinking Water Components (Health Effects)
- IAPMO/ANSI Z1157 Certified (water supply valves to 125 PSI) (1/2" - 2")



PRESSURE & TEMPERATURE RATING:



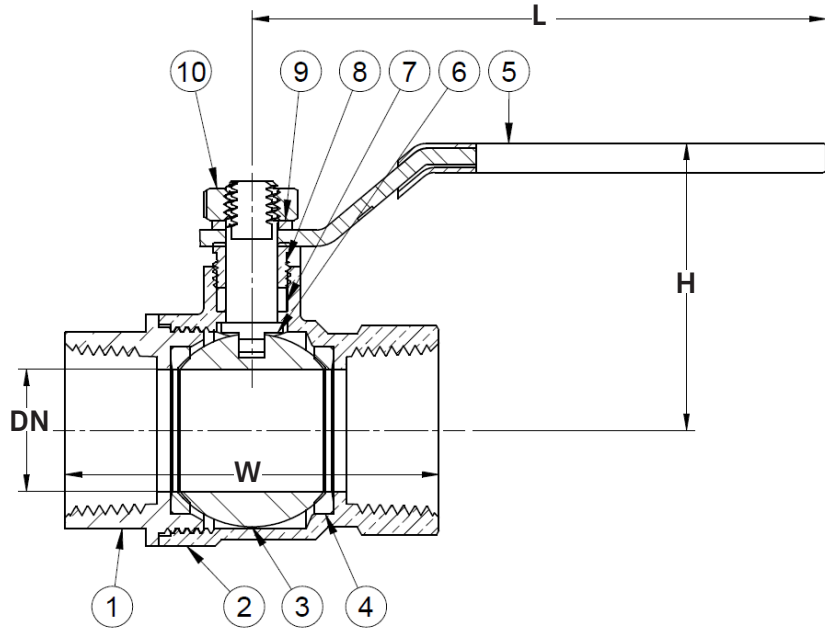
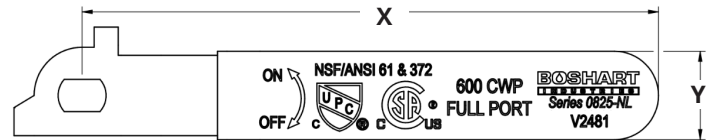
BOSHART
INDUSTRIES

25 Whaley Avenue, PO Box 310, Milverton, ON CANADA N0K 1M0
Tel: 800-561-3164

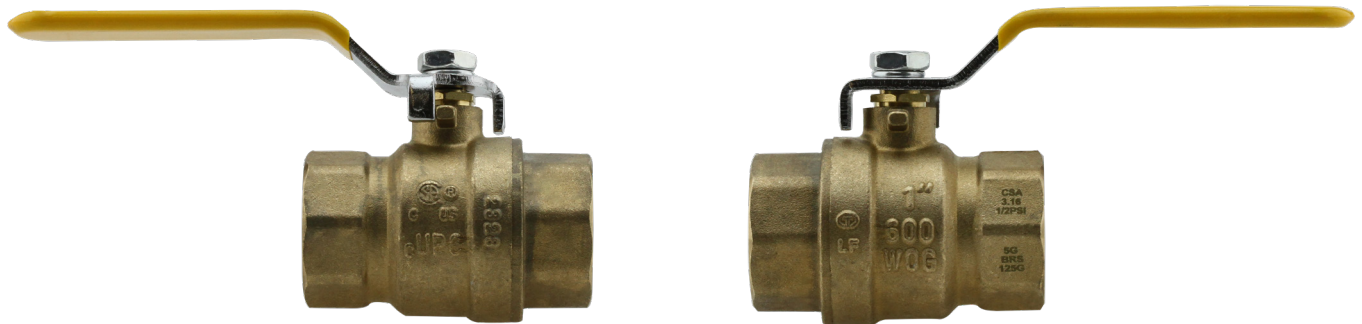
boshart.com ♦ blog.boshart.com

0825NL SERIES - NL FORGED FULL PORT BRASS BALL VALVE (THREADED)

- Threads conform to ANSI B1.20.1
- CSA certified to the following gas standards (threaded valves only):
 - ANSI Z21.15 & CGA 9.1: 1/2 PSIG
 - ASME B16.44 & CGA/CR91-002: 5 PSIG
 - ASME B16.33 & CAN/CGA 3.16: 125 PSIG (BRS125G/CAN 3.16)



MATERIAL LIST		
Part Name	Material	
1	End Cap	NL Brass (C46500)
2	Body	NL Brass (C46500)
3	Ball	Chrome Plated NL Brass (1/4"-3/8") 304 Stainless Steel (1/2" - 2")
4	Ball Seat	Polytetrafluoroethylene (PTFE)
5	Handle	Chrome Plated Steel
6	Stem	Brass (C37700)
7	Packing	Polytetrafluoroethylene (PTFE)
8	Packing Nut	Brass (C37700)
9	Lock Washer	Zinc Plated Steel
10	Handle Nut	Zinc Plated Steel



DIMENSIONS														
Part No.	Size	DN		W		H		L		X		Y		Weight grams
		in	mm	in	mm	in	mm	in	mm	in	mm	in	mm	
0825-02NL	1/4"	0.31	8.00	1.57	40.0	1.57	40.0	3.47	88.0	3.47	88.0	0.66	16.8	119
0825-03NL	3/8"	0.39	10.0	1.67	42.4	1.61	41.0	3.47	88.0	3.47	88.0	0.66	16.8	125
0825-05NL	1/2"	0.52	13.3	3.00	50.7	1.66	42.2	3.47	88.0	3.47	88.0	0.66	16.8	159
0825-07NL	3/4"	0.75	19.0	2.65	67.4	1.82	46.2	3.47	88.0	3.47	88.0	0.66	16.8	250
0825-10NL	1"	0.98	25.0	3.32	84.2	2.08	52.7	4.29	109.0	4.29	109.0	0.77	19.6	435
0825-12NL	1-1/4"	1.24	31.5	3.74	95.0	2.25	57.2	4.29	109.0	4.29	109.0	0.77	19.6	589
0825-15NL	1-1/2"	1.46	37.0	4.25	108.0	2.58	65.5	5.63	143.0	5.63	143.0	0.87	22.1	869
0825-20NL	2"	1.95	49.5	5.28	134.0	2.93	74.3	6.10	155.0	6.10	155.0	1.04	26.4	1414

BOSHART
INDUSTRIES

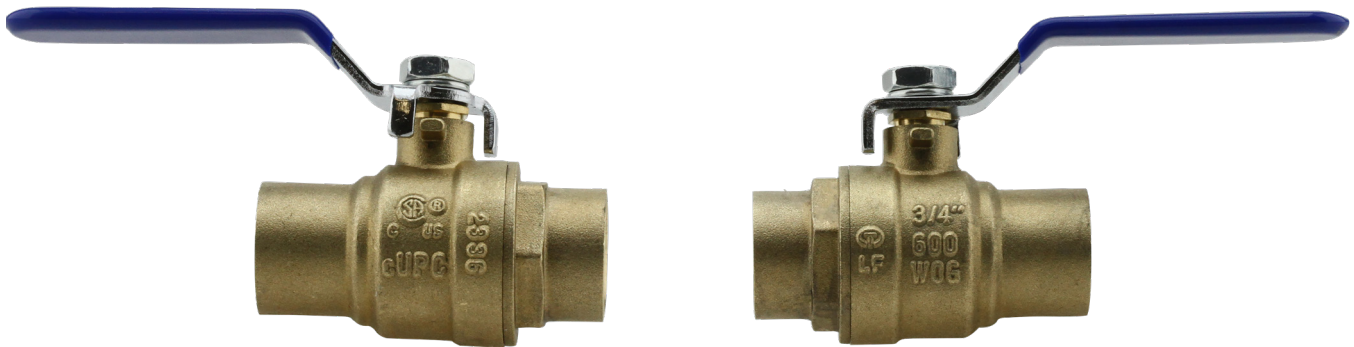
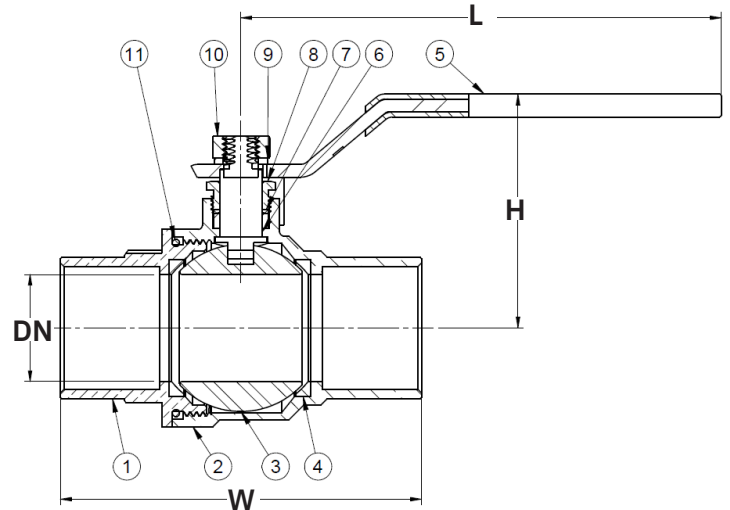
25 Whaley Avenue, PO Box 310, Milverton, ON CANADA N0K 1M0
Tel: 800-561-3164

boshart.com ♦ blog.boshart.com

0825CNL SERIES - NL FORGED FULL PORT BRASS BALL VALVE (CxC)

■ Solder joints conform to ANSI B16.22

MATERIAL LIST		
Part Name	Material	
1 End Cap	NL Brass (C46500)	
2 Body	NL Brass (C46500)	
3 Ball	304 Stainless Steel	
4 Ball Seat	Polytetrafluoroethylene (PTFE)	
5 Handle	Chrome Plated Steel	
6 Stem	Brass (C37700)	
7 Packing	Polytetrafluoroethylene (PTFE)	
8 Packing Nut	Brass (C37700)	
9 Lock Washer	Zinc Plated Steel	
10 Handle Nut	Zinc Plated Steel	
- O-Ring	Fluoro Rubber (FPM Rubber) (1"- 2" only)	



DIMENSIONS

Part No.	Size	DN		W		H		L		X		Y		Weight grams
		in	mm	in	mm	in	mm	in	mm	in	mm	in	mm	
0825C-05NL	1/2"	0.52	13.3	3.00	50.7	1.66	42.2	3.47	88.0	3.47	88.1	0.66	16.8	146
0825C-07NL	3/4"	0.75	19.0	2.65	67.4	1.82	46.2	3.47	88.0	3.47	88.1	0.66	16.8	232
0825C-10NL	1"	0.98	25.0	3.32	84.2	2.08	52.7	4.29	109.0	4.29	109.0	0.77	19.6	408
0825C-12NL	1-1/4"	1.24	31.5	3.74	95.0	2.25	57.2	4.29	109.0	4.29	109.0	0.77	19.6	574
0825C-15NL	1-1/2"	1.46	37.0	4.25	108.0	2.58	65.5	5.63	143.0	5.63	143.0	0.87	22.1	835
0825C-20NL	2"	1.95	49.5	5.28	134.0	2.93	74.3	6.10	155.0	6.10	154.9	1.04	26.4	1538

For more information on installation, adjustment, repair & operation, visit Boshart Knowledge Base at

SUPPORT.BOSHART.COM



BOSHART

INDUSTRIES

© 2020 Boshart Industries Inc. All Rights Reserved.

25 Whaley Avenue, PO Box 310, Milverton, ON CANADA N0K 1M0
Tel: 800-561-3164

boshart.com ♦ blog.boshart.com

BII-0825NL,0825CNL-0823(2481)V3