

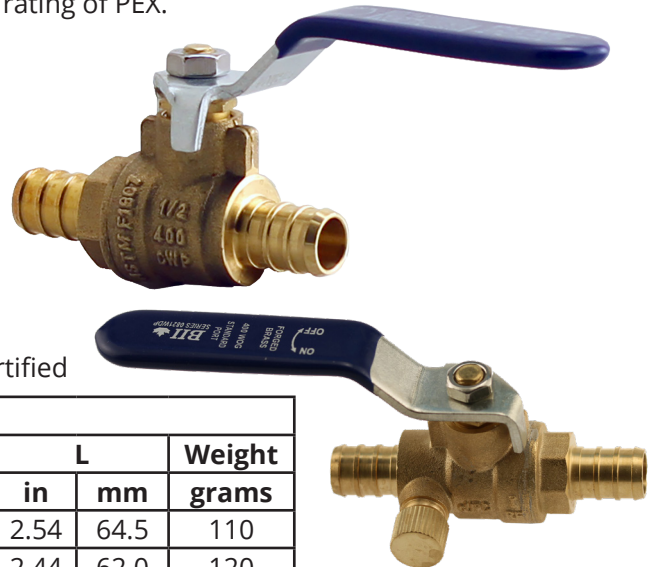
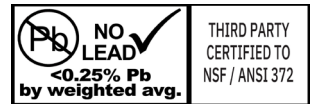
# 0821(WD)P-NL SERIES - NO LEAD BRASS PEX BALL VALVE

## SPECIFICATIONS:

- PEX ends conform to ASTM F1807 (Standard Specification for Metal Insert Fittings Utilizing a Copper Crimp Ring, or Alternate Stainless Steel Clamps, for SDR9 PEX Tubing and SDR9 PE-RT Tubing)
- Maximum Pressure Rating: 400 PSI CWP. Exceeds the pressure rating of PEX.
- CWP (Cold Working Pressure) is an indication of the pressure rating for valves at a temperature range of up to 100 °F (37 °C).
- Maximum Temperature Rating: 203 °F (95 °C)
- Forged, no lead brass body
- Available with drain port to allow system draining (0821WDP-NL Series)
- Blow-out proof stem

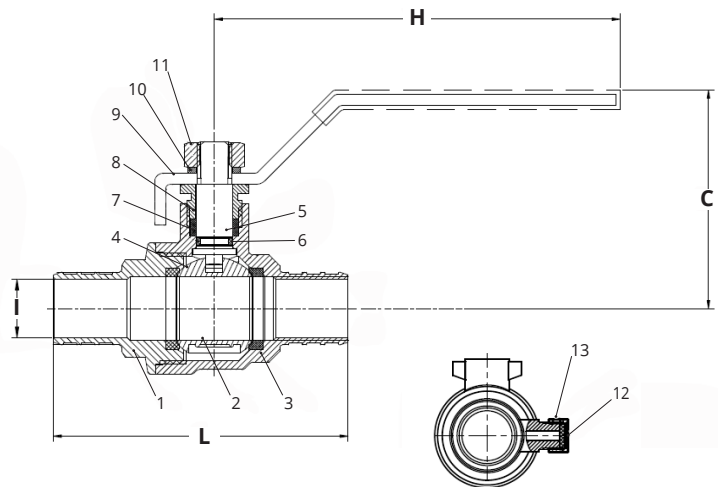
## CERTIFICATIONS:

- NSF/ANSI Standard 61 Certified (Drinking Water System Components - Health Effects)
- NSF/ANSI Standard 372 Certified (Drinking Water System Components - Lead Content)
- CUPC (Canadian Uniform Plumbing Code) Standard IGC 157 Certified



DIMENSIONS										
Part No.	Size	I		H		C		L		Weight grams
		in	mm	in	mm	in	mm	in	mm	
0821P-03NL	3/8"	0.39	10.0	3.27	83.0	1.52	38.5	2.54	64.5	110
0821P-05NL	1/2"	0.39	10.0	3.27	83.0	1.52	38.5	2.44	62.0	120
0821P-07NL	3/4"	0.59	15.0	3.64	92.5	1.69	43.0	2.72	69.0	197
0821P-10NL	1"	0.79	20.0	3.64	92.5	1.83	46.5	3.27	83.0	277
0821WDP-05NL	1/2"	0.39	10.0	3.15	80.0	1.57	39.8	2.77	70.3	140
0821WDP-07NL	3/4"	0.59	15.0	3.62	92.0	1.69	43.0	3.06	77.6	227
0821WDP-10NL	1"	0.72	18.2	3.74	95.0	2.11	53.6	3.61	91.7	320

MATERIAL LIST		
No	Part Name	Material
1	Bonnet	No Lead Brass (C46500)
2	Seat	Polytetrafluoroethylene (PTFE)
3	Body	No Lead Brass (C46500)
4	Ball	Chrome Plated No Lead Brass (C46500)
5	Stem	Brass (C37700)
6	O-Ring	Ethylene Propylene Diene Terpolymer (EPDM)
7	Gland Packing	Polytetrafluoroethylene (PTFE)
8	Gland Nut	Brass (C37700)
9	Handle & Sleeve	Steel (ASTM A36) & PVC
10	Spring Washer	201 Stainless Steel
11	Nut	201 Stainless Steel
12	Gasket (0821WDP series only)	Ethylene Propylene Diene Terpolymer (EPDM)
13	Cap (0821WDP series only)	Brass (CW614N)



For more information on installation, adjustment, repair & operation, visit Boshart Knowledge Base at

SUPPORT.BOSHART.COM



# BOSHART

## INDUSTRIES

25 Whaley Avenue, PO Box 310, Milverton, ON CANADA N0K 1M0  
Tel: 800-561-3164

[boshart.com](http://boshart.com) ♦ [blog.boshart.com](http://blog.boshart.com)