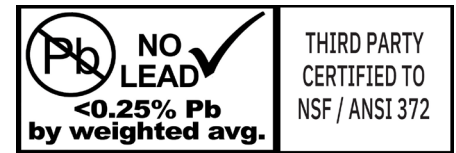


BPF SERIES - NO LEAD BRASS PUSH-FIT FITTINGS

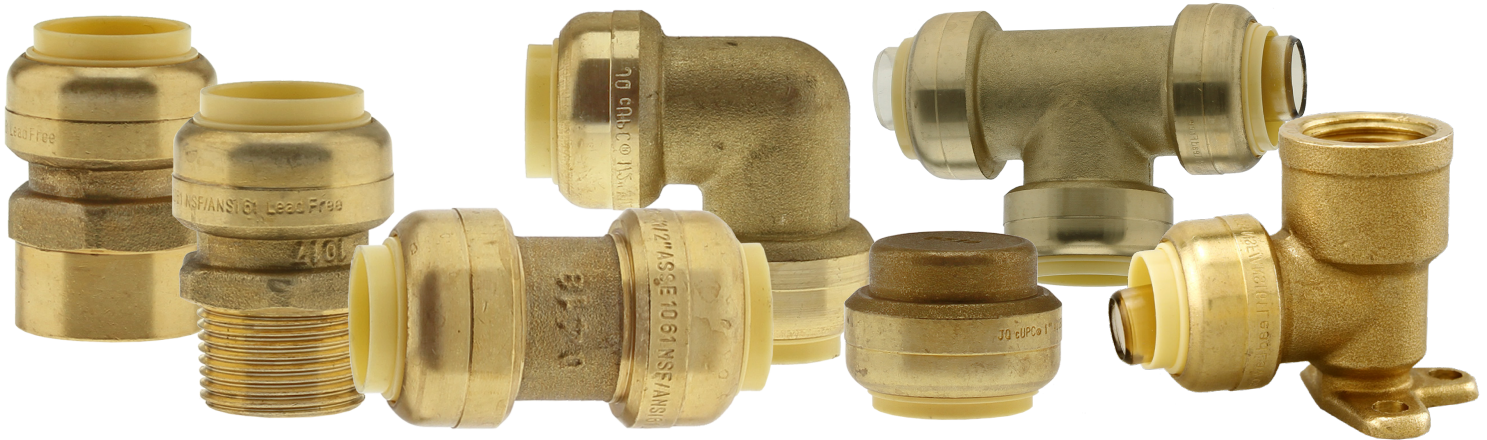
SPECIFICATIONS:

- Maximum pressure rating: 200 PSI
- Maximum temperature rating: 200 °F (93 °C)
- Forged DZR (dezincification resistant) no lead brass body



CERTIFICATIONS:

- UPC (Uniform Plumbing Code) Standard ASSE 1061 Certified (Performance requirements for Push-Fit Fittings)
- NSF/ANSI Standard 14 Certified (Plastic Piping System Components and Related Materials)
- NSF/ANSI Standard 61 Certified (Drinking Water System Components - Health Effects)
- NSF/ANSI Standard 372 Certified (Drinking Water System Components - Lead Content)



FEATURES:

- Designed for use on copper, CPVC, and PEX piping in plumbing, potable water, and hydronic heating systems.
- For CTS (copper tube sizes): 3/8" (0.50 O.D.), 1/2" (0.625" O.D.), 3/4" (0.875" O.D.), & 1" (1.125" O.D.).
- Approved for use in both underground and behind the wall applications.
- Eliminates the need for soldering, crimping or solvent welding.
- Ideal for wet, hazardous, and dry repairs in hard to access locations or where open flame could be a fire hazard for soldering.
- Fittings can be rotated after assembly for easier installation.
- Removable and reusable, plastic disconnect tool is used to release the gripper ring, making for easy disconnection.
- Each fitting comes complete with integral polysulfone tube support, required for use with PEX piping.

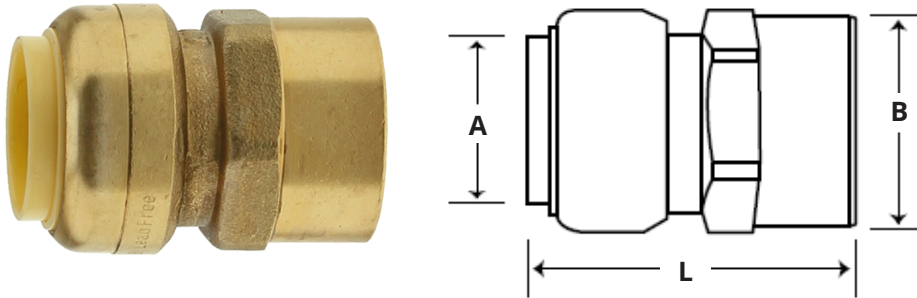
MATERIAL LIST	
Part Name	Material
Body	No Lead Brass (C89550)
Grip Ring	301 Stainless Steel
Release Ring	POM (Polyoxymethylene)
Retaining Ring	POM (Polyoxymethylene)
Spacer	Nylon 66
O-Ring	EPDM 70 (Ethylene Propylene Diene Terpolymer)
Tube Support	Polysulfone

BOSHART
INDUSTRIES

25 Whaley Avenue, PO Box 310, Milverton, ON CANADA N0K 1M0
Tel: 800-561-3164

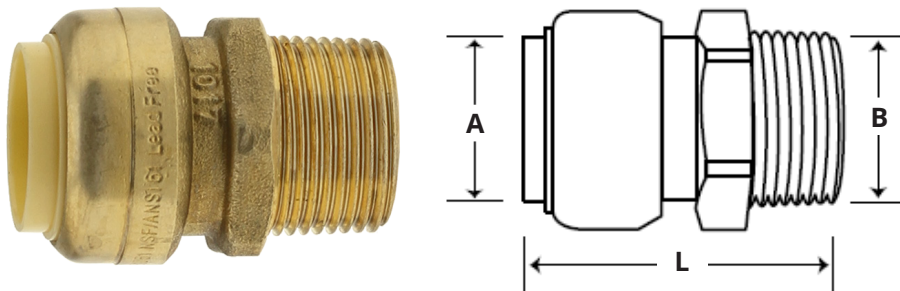
boshart.com ♦ blog.boshart.com

BPF-FANL SERIES - NL BRASS PUSH-FIT FEMALE ADAPTER



DIMENSIONS								
Part No.	Nominal Pipe Size (CTSx FPT)	A		B		L		Weight grams
		in	mm	in	mm	in	mm	
BPF-FA03NL	3/8"x3/8"	0.50	12.7	0.38	9.65	1.40	35.6	40
BPF-FA0507NL	1/2"x3/4"	0.63	15.9	0.75	19.1	1.82	46.2	90
BPF-FA05NL	1/2"x1/2"	0.63	15.9	0.50	12.7	1.68	42.7	60
BPF-FA07NL	3/4"x3/4"	0.88	22.2	0.75	19.1	1.85	47.0	90
BPF-FA10NL	1"x1"	1.13	28.6	1.00	25.4	2.16	54.9	140

BPF-MANL SERIES - NL BRASS PUSH-FIT MALE ADAPTER



DIMENSIONS								
Part No.	Nominal Pipe Size (CTSxMPT)	A		B		L		Weight grams
		in	mm	in	mm	in	mm	
BPF-MA03NL	3/8"x3/8"	0.50	12.7	0.38	9.65	1.28	32.5	40
BPF-MA0507NL	1/2"x3/4"	0.63	15.9	0.75	19.1	1.85	47.0	80
BPF-MA05NL	1/2"x1/2"	0.63	15.9	0.50	12.7	1.79	45.5	60
BPF-MA07NL	3/4"x3/4"	0.88	22.2	0.75	19.1	1.85	47.0	90
BPF-MA10NL	1"x1"	1.13	28.6	1.00	25.4	2.16	54.9	120

BOSHART
INDUSTRIES

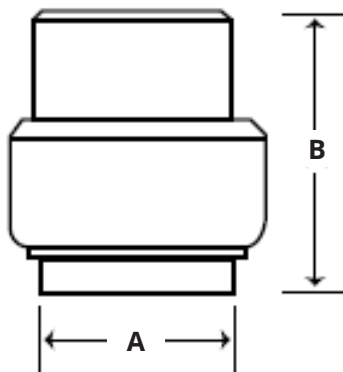
© 2020 Boshart Industries Inc. All Rights Reserved.

25 Whaley Avenue, PO Box 310, Milverton, ON CANADA N0K 1M0
Tel: 800-561-3164

boshart.com ♦ blog.boshart.com

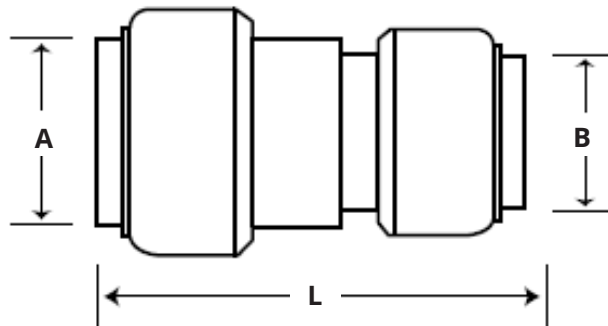
BII-BPF-FANL,BPF-MANL-1223(2375)

BPF-CANL SERIES - NL BRASS PUSH-FIT CAP



DIMENSIONS						
Part No.	Nominal Pipe Size (CTS)	A		L		Weight grams
		in	mm	in	mm	
BPF-CA05NL	1/2"	0.63	15.9	1.24	31.5	50
BPF-CA07NL	3/4"	0.88	22.2	1.40	35.6	70
BPF-CA10NL	1"	1.13	28.6	1.31	33.3	80

BPF-CNL SERIES - NL BRASS PUSH-FIT COUPLING



DIMENSIONS								
Part No.	Nominal Pipe Size (CTSxCTS)	A		B		L		Weight grams
		in	mm	in	mm	in	mm	
BPF-C03NL	3/8"x3/8"	0.50	12.7	0.50	12.7	1.75	44.5	40
BPF-C0503NL	1/2"x3/8"	0.63	15.9	0.50	12.7	1.87	47.5	60
BPF-C05NL	1/2"x1/2"	0.63	15.9	0.63	15.9	2.02	51.3	50
BPF-C0705NL	3/4"x1/2"	0.88	22.2	0.63	15.9	2.09	53.1	70
BPF-C07NL	3/4"x3/4"	0.88	22.2	0.88	22.2	2.29	58.2	80
BPF-C1007NL	1"x3/4"	1.13	28.6	0.88	22.2	2.39	60.7	110
BPF-C10NL	1"x1"	1.13	28.6	1.13	28.6	2.58	65.5	130

BOSHART
INDUSTRIES

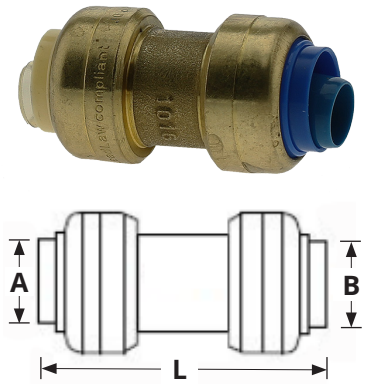
25 Whaley Avenue, PO Box 310, Milverton, ON CANADA N0K 1M0
Tel: 800-561-3164

boshart.com ♦ blog.boshart.com

BPF-PBCNL SERIES - NL BRASS PUSH-FIT TRANSITION COUPLING

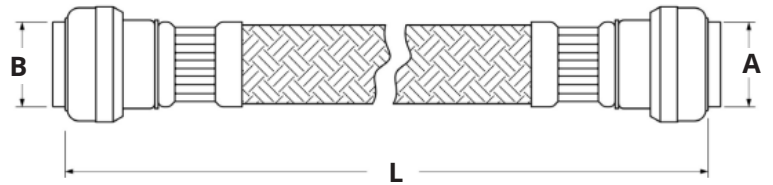
- One end connects to polybutylene

DIMENSIONS								
Part No.	Nominal Pipe Size (CTSxCTS)	A		B		L		Weight grams
		in	mm	in	mm	in	mm	
BPF-PBC05NL	1/2"x1/2"	0.63	15.9	0.63	15.9	2.02	51.3	50
BPF-PBC07NL	3/4"x3/4"	0.88	22.2	0.88	22.2	2.29	58.2	80



BPF-FRCNL SERIES - NL BRASS PUSH-FIT FLEXIBLE REPAIR COUPLING

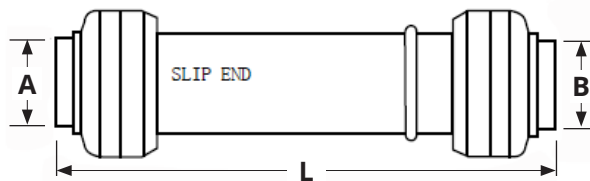
- 12" 304 stainless steel braided PVC hose



DIMENSIONS								
Part No.	Nominal Pipe Size (CTSxCTS)	A		B		L		Weight grams
		in	mm	in	mm	in	mm	
BPF-FRC05NL	1/2"x1/2"	0.63	15.9	0.63	15.9	12.0	304.8	200
BPF-FRC07NL	3/4"x3/4"	0.88	22.2	0.88	22.2	12.0	304.8	240

BPF-SCNL SERIES - NL BRASS PUSH-FIT SLIP COUPLING

- Slip end for use with copper only



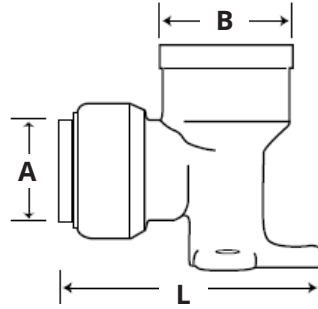
DIMENSIONS								
Part No.	Nominal Pipe Size (CTSxCTS)	A		B		L		Weight grams
		in	mm	in	mm	in	mm	
BPF-SC05NL	1/2"x1/2"	0.63	15.9	0.63	15.9	4.27	108.5	110
BPF-SC07NL	3/4"x3/4"	0.88	22.2	0.88	22.2	4.34	110.2	130

BOSHART
INDUSTRIES

25 Whaley Avenue, PO Box 310, Milverton, ON CANADA N0K 1M0
Tel: 800-561-3164

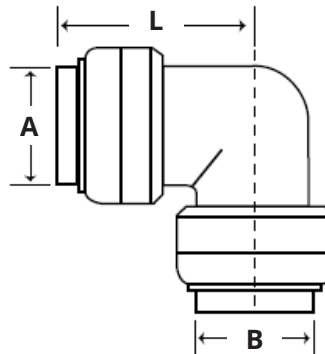
boshart.com ♦ blog.boshart.com

BPF-DENL SERIES - NL BRASS PUSH-FIT DROPEAR 90° ELBOW



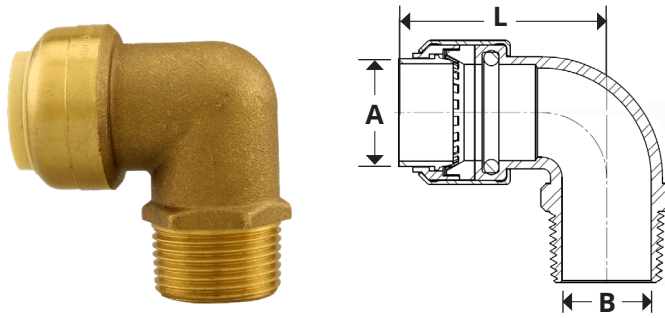
DIMENSIONS								
Part No.	Nominal Pipe Size (CTSxFT)	A		B		L		Weight grams
		in	mm	in	mm	in	mm	
BPF-DE05NL	1/2"x1/2"	0.63	15.9	0.50	12.7	1.81	46.0	120
BPF-DE0705NL	3/4"x1/2"	0.88	22.2	0.50	12.7	2.38	60.5	140

BPF-ENL SERIES - NL BRASS PUSH-FIT 90° ELBOW



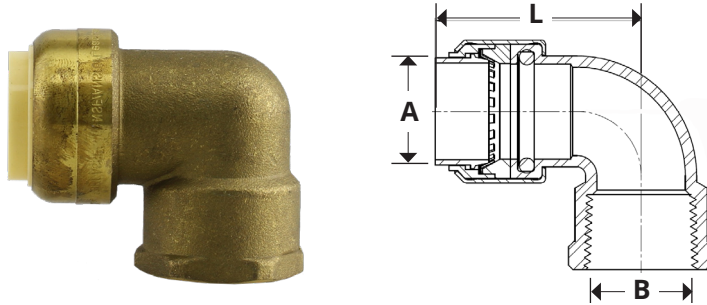
DIMENSIONS								
Part No.	Nominal Pipe Size (CTSxCTS)	A		B		L		Weight grams
		in	mm	in	mm	in	mm	
BPF-E03NL	3/8"x3/8"	0.50	12.7	0.50	12.7	1.25	31.8	60
BPF-E05NL	1/2"x1/2"	0.63	15.9	0.63	15.9	1.35	34.3	80
BPF-E0705NL	3/4"x1/2"	0.88	22.2	0.63	15.9	1.35	34.3	100
BPF-E07NL	3/4"x3/4"	0.88	22.2	0.88	22.2	1.58	40.1	120
BPF-E10NL	1"x1"	1.13	28.6	1.13	28.6	1.88	47.8	200

BPF-MENL SERIES - NL BRASS PUSH-FIT 90° ELBOW (MALE)



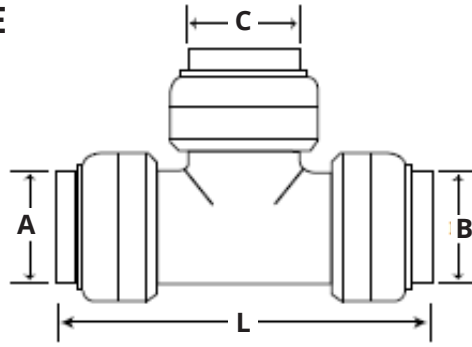
DIMENSIONS								
Part No.	Nominal Pipe Size (CTSxMPT)	A		B		L		Weight grams
		in	mm	in	mm	in	mm	
BPF-ME05NL	1/2"x1/2"	0.63	15.9	0.50	12.7	1.30	33.0	80
BPF-ME07NL	3/4"x3/4"	0.88	22.2	0.75	19.1	1.64	41.7	130

BPF-FENL SERIES - NL BRASS PUSH-FIT 90° ELBOW (FEMALE)



DIMENSIONS								
Part No.	Nominal Pipe Size (CTSxFPT)	A		B		L		Weight grams
		in	mm	in	mm	in	mm	
BPF-FE05NL	1/2"x1/2"	0.63	15.9	0.50	12.7	1.06	26.9	100
BPF-FE07NL	3/4"x3/4"	0.88	22.2	0.75	19.1	1.46	37.1	120

BPF-TNL SERIES - NL BRASS PUSH-FIT TEE



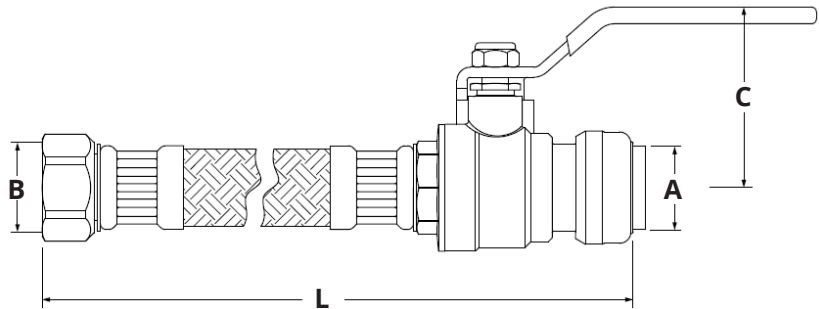
DIMENSIONS										
Part No.	Nominal Pipe Size (CTSxCTSxCTS)	A		C		B		L		Weight grams
		in	mm	in	mm	in	mm	in	mm	
BPF-T03NL	3/8"x3/8"x3/8"	0.50	12.7	0.50	12.7	0.50	12.7	2.50	63.5	90
BPF-T05NL	1/2"x1/2"x1/2"	0.63	15.9	0.63	15.9	0.63	15.9	2.93	74.4	120
BPF-T070505NL	3/4"x1/2"x1/2"	0.88	22.2	0.63	15.9	0.63	15.9	2.92	74.2	150
BPF-T070507NL	3/4"x1/2"x3/4"	0.88	22.2	0.63	15.9	0.88	22.2	3.04	77.2	150
BPF-T070705NL	3/4"x3/4"x1/2"	0.88	22.2	0.88	22.2	0.63	15.9	3.16	80.3	160
BPF-T07NL	3/4"x3/4"x3/4"	0.88	22.2	0.88	22.2	0.88	22.2	3.16	80.3	170
BPF-T101007NL	1"x1"x3/4"	1.13	28.6	1.13	28.6	0.88	22.2	3.76	95.5	240
BPF-T10NL	1"x1"x1"	1.13	28.6	1.13	28.6	1.13	28.6	3.76	95.5	260

BPF-WHCV SERIES - NL BRASS PUSH-FIT WATER HEATER CONNECTOR WITH VALVE

- Threaded (FPT) swivel nut (C37700 brass) on one end for easy attachment to NPT connections.
- Flexible 18" 304 stainless steel braided PVC hose



VALVE MATERIAL LIST	
Part Name	Material
Ball	Chrome Plated No Lead Brass (C89550)
Handle	Chrome Plated Steel
Valve Connection	No Lead Brass (C89550)



DIMENSIONS										
Part No.	Nominal Pipe Size (CTSxFPT)	A		B		C		L		Weight grams
		in	mm	in	mm	in	mm	in	mm	
BPF-WHCV0507-18	1/2"x3/4"	0.63	15.9	0.75	19.1	0.77	45.0	18.0	457.2	420
BPF-WHCV07-18	3/4"x3/4"	0.88	22.2	0.75	19.1	1.91	48.5	18.0	457.2	500

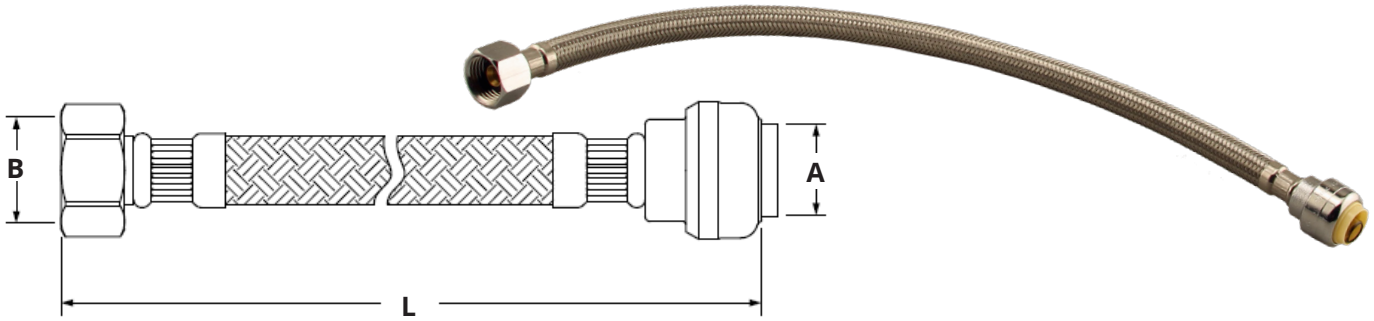
BOSHART
INDUSTRIES

25 Whaley Avenue, PO Box 310, Milverton, ON CANADA N0K 1M0
Tel: 800-561-3164

boshart.com ♦ blog.boshart.com

BPF-W(H)C SERIES - NL BRASS PUSH-FIT WATER (HEATER) CONNECTOR

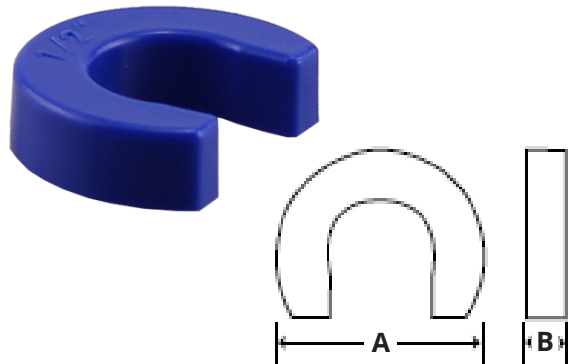
- Flexible 18" 304 stainless steel braided PVC hose
- Threaded (FPT) swivel nut (C37700 brass) on one end for easy attachment to NPT connections



DIMENSIONS								
Part No.	Nominal Pipe Size (CTSxFPT)	A		B		L		Weight grams
		in	mm	in	mm	in	mm	
BPF-WC05-18	1/2"x1/2"	0.63	15.9	0.50	12.7	18.0	457.2	260
BPF-WHC0507-18	1/2"x3/4"	0.63	15.9	0.75	19.1	18.0	457.2	280
BPF-WHC07-18	3/4"x3/4"	0.88	22.2	0.75	19.1	18.0	457.2	300

BPF-D SERIES - DISCONNECT TOOL

DIMENSIONS						
Part No.	Nominal Pipe Size (CTS)	A		B		Weight grams
		in	mm	in	mm	
BPF-D05	1/2"	1.21	30.7	0.31	7.87	4.54
BPF-D07	3/4"	1.69	42.9	0.37	9.40	4.54
BPF-D10	1"	1.95	49.5	0.41	10.4	9.07



BPF-S SERIES - TUBE SUPPORT

DIMENSIONS	
Part No.	Nominal Pipe Size (CTS)
BPF-S05	1/2"
BPF-S07	3/4"
BPF-S10	1"



For more information on installation, adjustment, repair & operation, visit Boshart Knowledge Base at

SUPPORT.BOSHART.COM



BOSHART
INDUSTRIES

25 Whaley Avenue, PO Box 310, Milverton, ON CANADA N0K 1M0
Tel: 800-561-3164

boshart.com ♦ blog.boshart.com