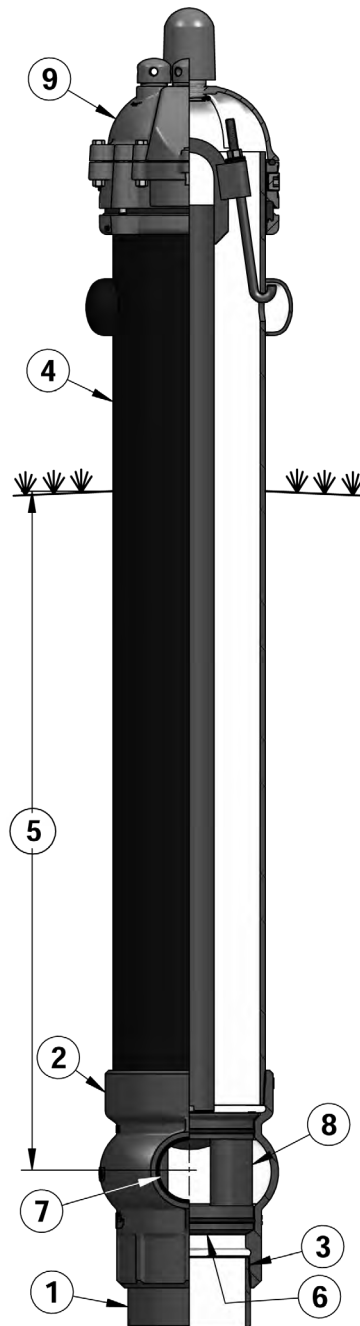


REQUEST FOR QUOTATION 10" WELL CASING x 6" FPT DROP PIPE INDUSTRIAL PITLESS UNIT

COMPANY:		DATE:
CONTACT NAME:		JOB REF:
ADDRESS:		
CITY:	PROVINCE/STATE:	POSTAL CODE/ZIP:
PHONE:	FAX:	
E-MAIL:	# OF UNITS:	

PART	DESCRIPTION	FIG.
P	Pitless Unit for Submersible Pump	
10	Well Casing Size	1
	Material:	1
	Material = D (Ductile Iron) or S (Stainless Steel)	2
W	Well Casing Connection = W (Weld Nipple, Hand Tightened Only) as standard option, can be removed to make a FPT Connection.	3
	Upper Barrel Type:	4
	<ul style="list-style-type: none"> ▪ B (Black Painted Steel) Standard 0.375" wall ▪ I (Black Painted Steel) with Isolation Flanges Suggested option for connecting a stainless steel pitless discharge housing to steel upper barrel / well casing to eliminate contact of dissimilar metals and galvanic corrosion.	4
	<ul style="list-style-type: none"> ▪ S (304 Stainless Steel) Schedule 20 0.25" wall ▪ H (304 Stainless Steel) Standard 0.375" wall ▪ P (PVC) Schedule 40 0.375" wall Supplied with Hold-Down Hook / Torque Arrestor Assemblies	4
	Bury Depth = in feet 3, 4, 5, 6, 7, 8, 9, 10	5
F	Drop Pipe Connection - Female NPT (FPT) as standard option	6
6	Drop Pipe Size - 6" standard option	6
	Material:	6
F	Discharge Connection - Female NPT (FPT) as standard option	7
6	Discharge Size - 6" standard option	7
	Material:	7
	Well / Spool Type:	8
	<ul style="list-style-type: none"> ▪ N (Normal Well) - Open Through Passage Spool ▪ F (Flowing Well) - Closed Spool with Tapings for Cable Seals 	8
	Well Cap:	9
	<ul style="list-style-type: none"> ▪ C (Cast Iron) as standard option (PN: WTCL-C12) ▪ N (No Cap) 	9



All Flowing Well Spools are 304 Stainless Steel

See page 3 for further details.

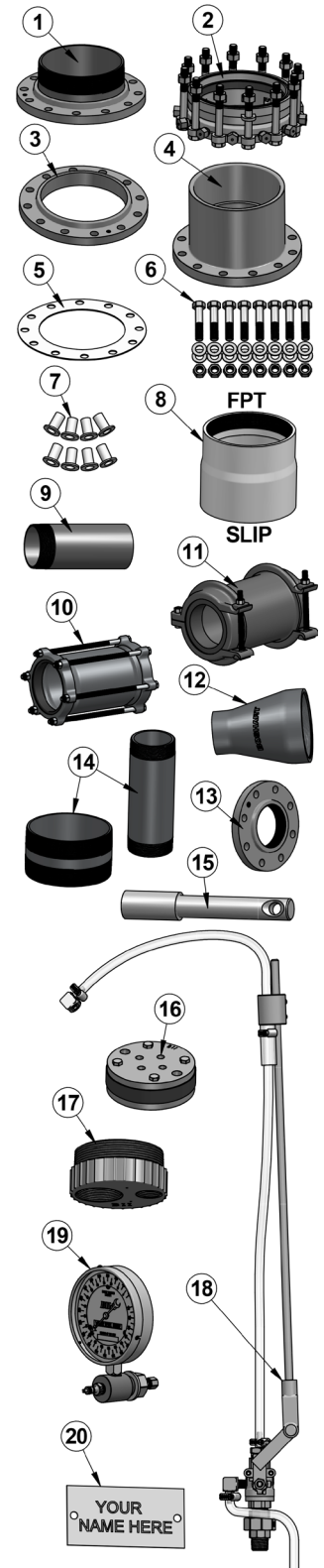


25 Whaley Avenue, PO Box 310, Milverton, ON CANADA N0K 1M0
Tel: 800-561-3164

boshart.com blog.boshart.com

	PART NAME	FIG.	DESCRIPTION	QTY.	
WELL CASING transition from 10" FPT	FL-DIQC-100	2	10" Ductile Iron Quick Connect Flange (EBAA #2110 MEGA Flange)		
	FL-FSM-100	1	10" MPT x 16" O.D. F.S. Flange / Sch. 40 Weld Nipple Assembly (5-1/4" L.)		
	FL-FSSW-100	3	10" SLIP x 16" O.D. F.S. Class 150 Flange		
	FL-SS304M-100	1	10" MPT x 16" O.D. 304 S.S. Flange / Sch. 40 Weld Nipple Assembly (5-1/4" L.)		
	FL-SS304SW-100	3	10" SLIP x 16" O.D. 304 S.S. Class 150 Flange		
	854-100	4	10" Slip x 16" O.D. PVC Class 150 Flange		
	IPA-DG10	5	10" x 16" O.D. Durlon Class 150 Gasket		
	IPA-SSBK10	6	10" S.S. Class 150 Bolt Kit (12) 3/4"-10NC x 4" L. Bolts c/w Nuts & Washers		
	IPA-IK10	7	10" Class 150 Flange Isolation Kit		
	GN-10060	14	10" x 6" Sch. 40 Galvanized Nipple		
	SS304N-10060	14	10" x 6" Sch. 40 304 S.S. Nipple		
435-100F	8	10" FPT x 10" Slip PVC Female Adapter			
DROP PIPE transition from 6" FPT to...	GN-60120	14	6" x 12" Sch. 40 Galvanized Nipple		
	GHN-60120	14	6" x 12" Sch. 80 Galvanized Nipple		
	IPGHRC-6030	12	6" FPT x 3" FPT x 12" L. Heavy Duty Zinc Plated Reducing Coupling		
	IPGHRC-6040	12	6" FPT x 4" FPT x 12" L. Heavy Duty Zinc Plated Reducing Coupling		
	IPGHRC-8060	12	8" FPT x 6" FPT x 13" L. Heavy Duty Zinc Plated Reducing Coupling		
	<i>All Flowing Well Spools are 304 Stainless Steel, Stainless or PVC Drop Pipe Recommended to Avoid Dissimilar Metals.</i>				
	SSH304N-60120	14	6" x 12" Sch. 80 304 Stainless Steel Nipple		
	IPSSH304RC-6030	12	6" FPT x 3" FPT x 12" L. Heavy Duty 304 S.S. Reducing Coupling		
	IPSSH304RC-6040	12	6" FPT x 4" FPT x 12" L. Heavy Duty 304 S.S. Reducing Coupling		
	IPSSH304RC-8060	12	8" FPT x 6" FPT x 13" L. Heavy Duty 304 S.S. Reducing Coupling		
DISCHARGE transition from 6" FPT to...	GHN-60120T	9	6" x 12" Sch. 80 Galvanized T.O.E. Nipple		
	MJ-DIQC-060	10	6" (6-5/8" O.D.) x 12" Ductile Iron M.J. Coupling (FORD #FC3-663-12-P)		
	IPGHRC-6030	12	6" FPT x 3" FPT x 12" L. Heavy Duty Zinc Plated Reducing Coupling		
	IPGHRC-6040	12	6" FPT x 4" FPT x 12" L. Heavy Duty Zinc Plated Reducing Coupling		
	IPGHRC-8060	12	8" FPT x 6" FPT x 13" L. Heavy Duty Zinc Plated Reducing Coupling		
	GNH-6060	14	6" x 6" Sch. 80 Galvanized Nipple		
	FL-FST-030	13	3" FPT X 7-1/2" O.D. F.S. Class 150 Threaded Flange		
	FL-FST-040	13	4" FPT X 9" O.D. F.S. Class 150 Threaded Flange		
	FL-FST-060	13	6" FPT X 11" O.D. F.S. Class 150 Threaded Flange		
	FL-FST-080	13	8" FPT X 13-1/2" O.D. F.S. Class 150 Threaded Flange		
	SS304N-60120T	9	6" x 12" Sch. 80 304 S.S. T.O.E. Nipple		
	MJ-SS304QC-060	11	6" (6-5/8" O.D.) x 11.70" 304 S.S. M.J. Coupling (ROBAR MODEL#1696-2B)		
	IPSSH304RC-6030	12	6" FPT x 3" FPT x 12" L. Heavy Duty 304 S.S. Reducing Coupling		
	IPSSH304RC-6040	12	6" FPT x 4" FPT x 12" L. Heavy Duty 304 S.S. Reducing Coupling		
	IPSSH304RC-8060	12	8" FPT x 6" FPT x 13" L. Heavy Duty 304 S.S. Reducing Coupling		
	SSH304N-6060	14	6" x 6" Sch. 80 304 S.S. Nipple		
	FL-SS304T-030	13	3" FPT X 7-1/2" O.D. 304 S.S. Class 150 Threaded Flange		
	FL-SS304T-040	13	4" FPT X 9" O.D. 304 S.S. Class 150 Threaded Flange		
	FL-SS304T-060	13	6" FPT X 11" O.D. 304 S.S. Class 150 Threaded Flange		
	FL-SS304T-080	13	8" FPT X 13-1/2" O.D. 304 S.S. Class 150 Threaded Flange		
	852-030	13	3" FPT X 7-1/2" O.D. PVC Class 150 Threaded Flange		
	852-040	13	4" FPT X 9" O.D. PVC Class 150 Threaded Flange		
	852-060	13	6" FPT X 11" O.D. PVC Class 150 Threaded Flange		
	852-080	13	8" FPT X 13-1/2" O.D. PVC Class 150 Threaded Flange		
	IPA-DG03	5	3" x 7-1/2" O.D. Durlon Class 150 Gasket		
	IPA-DG04	5	4" x 9" O.D. Durlon Class 150 Gasket		
	IPA-DG06	5	6" x 11" O.D. Durlon Class 150 Gasket		
	IPA-DG08	5	8" x 13-1/2" O.D. Durlon Class 150 Gasket		
	IPA-SSBK03	6	3" S.S. Class 150 Bolt Kit (4) 5/8"-11NC x 3" L. Bolts c/w Nuts & Washers		
	IPA-SSBK04	6	4" S.S. Class 150 Bolt Kit (8) 5/8"-11NC x 3" L. Bolts c/w Nuts & Washers		
	IPA-SSBK06	6	6" S.S. Class 150 Bolt Kit (8) 3/4"-10NC x 3-1/2" L. Bolts c/w Nuts & Washers		
	IPA-SSBK08	6	8" S.S. Class 150 Bolt Kit (8) 3/4"-10NC x 3-1/2" L. Bolts c/w Nuts & Washers		
	IPA-IK03	7	3" Class 150 Flange Isolation Kit		
IPA-IK04	7	4" Class 150 Flange Isolation Kit			
IPA-IK06	7	6" Class 150 Flange Isolation Kit			
IPA-IK08	7	8" Class 150 Flange Isolation Kit			
WELL CAP & OTHER ACCESS.	WCPNP	20	Aluminum Personalized Name Plate (See Pg.75 of Ind. Pitless Booklet)		
	WTCL-CLP	15	S.S. Locking Pins for Accessory Ports (See Pg.75 of Ind. Pitless Booklet)		
	WSVK05-12	18	1/2" MPT Water Sampling Valve Kit (See Pg.80 of Ind. Pitless Booklet)		
	WCDTK	19	Depth Tester Kit (See Pg.82 of Ind. Pitless Booklet)		
	WTCL-CS40-187-4	16	4" Conduit Cable Seal 0.087" - 0.187" O.D. (See Pg.84 of Ind. Pitless Booklet)		
	WTCL-CS40-312-4	16	4" Conduit Cable Seal 0.187" - 0.312" O.D. (See Pg.84 of Ind. Pitless Booklet)		
	WTCL-CS40-437-4	16	4" Conduit Cable Seal 0.312" - 0.437" O.D. (See Pg.84 of Ind. Pitless Booklet)		
	WTCL-CS40-563-4	16	4" Conduit Cable Seal 0.437" - 0.563" O.D. (See Pg.84 of Ind. Pitless Booklet)		
	WTCL-CS40-700-4	16	4" Conduit Cable Seal 0.563" - 0.700" O.D. (See Pg.84 of Ind. Pitless Booklet)		
	WTCL-CA40-2010	17	4" MPT x 2" FPT & 1" FPT Conduit Adapter (See Pg.85 of Ind. Pitless Booklet)		

ALL FITTINGS & ACCESSORIES ARE OPTIONAL & QUOTED SEPARATELY
10" WELL CASING x 6" FPT DROP PIPE INDUSTRIAL PITLESS UNIT



ALL CABLE SEALS / BUSHINGS ARE OPTIONAL & QUOTED SEPARATELY

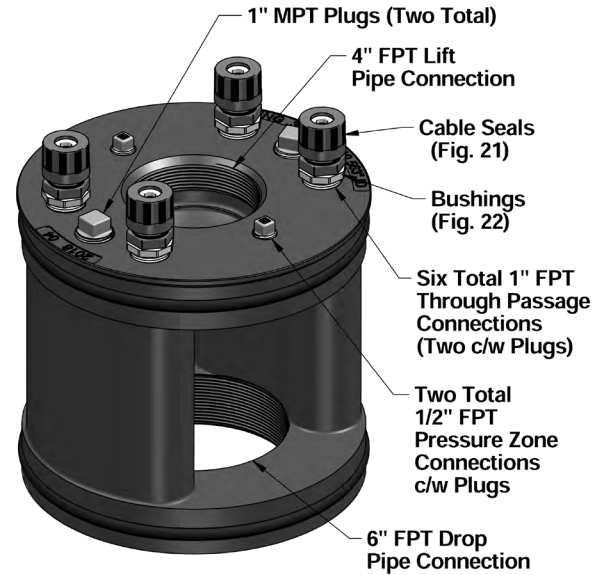
10" WELL CASING x 6" FPT DROP PIPE INDUSTRIAL PITLESS UNIT

NOTE: THIS PAGE IS ONLY APPLICABLE IF YOU HAVE SELECTED A TYPE "F" FLOWING WELL PITLESS UNIT!

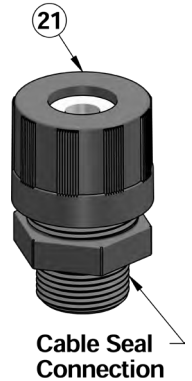
10" Flowing Well Spools have six 1" FPT through passage tapings. Two are supplied with 1" plugs which can be discarded if additional sensors wires are being installed through the 5th and 6th ports.

Typically, four spool cable seals are required for common three wire pump installations using four Wire Pump Cable (sometimes referred to as 3 CONDUCTOR (BRY) with GROUND (G). The Spool Cable Seals are sold separately (see page 78 of the Industrial Pitless Catalogue for full details and installation instructions)

CAUTION: Always verify cable O.D. with pump cable suppliers, pay close attention to the green ground wire O.D. as the pump cable may or may not have a reduced wire gage for the ground wire requiring a different cable seal for the ground than used for the conductors. The 0.062" to 0.187" cable seal is only available with a 1/2" MPT connection and therefore requires a different reducer bushing as detailed in the chart below.

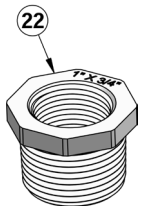


Part Number	FIG.	Cable Seal Connection	Cable Dia Range (Inch)		Grommet Colour	US Pump Cable		CAN Pump Cable	QTY.
			Min.	Max.		PVC Insulation	PVC Insulation / Nylon Jacket	TWU-40C PVC Insulation	
								GA GAUGE - (Stands) - Insulation O.D.	
IPA-CS05-0612	21	1/2" MPT	0.062	0.125	Black		14(1) 0.105" 14(19) 0.112" 12(1) 0.122"		
IPA-CS05-1218			0.125	0.187	Yellow	14(1) 0.157" 14(7) 0.168" 12(1) 0.174" 12(19) 0.186"	12(19) 0.130" 10(1) 0.153" 10(19) 0.164"		
439-130	22	1" MPT x 1/2" FPT PVC Bushing		Each 1/2" MPT Spool Cable Seal ordered will also require one 439-130 PVC Reducing Bushing for installation					



Cable Seal Connection

IPA-CS07-1825	21	3/4" MPT	0.187	0.250	Orange	10(1) 0.195" 10(19) 0.218"	8(19) 0.220"	14(1) 0.187" 14(7) 0.196" 12(1) 0.205" 12(7) 0.216" 10(1) 0.226" 10(7) 0.237"	
IPA-CS07-2537			0.250	0.375	Gray	8(19) 0.269" 6(19) 0.310" 4(19) 0.361"	6(19) 0.256" 4(19) 0.325" 3(19) 0.353"	8(1) 0.311" 6(7) 0.348"	
IPA-CS07-3743			0.375	0.437	Green	2(19) 0.423"	2(19) 0.386"	4(7) 0.396" 3(7) 0.426"	
IPA-CS07-4356			0.437	0.562	Black	1(19) 0.480" 1/0(19) 0.520"	1(19) 0.443" 1/0(19) 0.484" 2/0(19) 0.529"	2(7) 0.458" 1(7) 0.529" 1/0(19) 0.570"	
IPA-CS07-5062			0.500	0.625	Gray	2/0(19) 0.560" 3/0(19) 0.610"	3/0(19) 0.579"	2/0(19) 0.618"	
IPA-CS07-6275			0.625	0.750	Orange	4/0(19) 0.670"	4/0(19) 0.635"	4/0(19) 0.728"	
439-131	22	1" MPT x 3/4" FPT PVC Bushing		Each 3/4" MPT Spool Cable Seal ordered will also require one 439-131 PVC Reducing Bushing for installation					



DIAMETER & LENGTH CONVERSION CHARTS

Pipe is identified by “nominal” size related only loosely to actual dimensions. Inch pipe products are called NPS or “nominal pipe size” and their metric equivalents are called DN or “diameter nominal”. The metric designations conform to International Standards Organization (ISO) usage and apply to all plumbing piping.

NOMINAL PIPE SIZE CONVERSION TO METRIC SIZE					
mm	inch	mm	inch	mm	inch
3.2	1/8"	50	2"	200	8"
6.4	1/4"	65	2-1/2"	250	10"
9.5	3/8"	80	3"	300	12"
15	1/2"	90	3-1/2"	350	14"
20	3/4"	100	4"	400	16"
25	1"	115	4-1/2"	450	18"
32	1-1/4"	125	5"	500	20"
40	1-1/2"	150	6"		

➤ for larger pipe use 25 mm = 1"

METRIC TO IMPERIAL LENGTH								
metre	inch	feet	metre	inch	feet	metre	inch	feet
			2.0	78.7"	6.6	4.0	157.5"	13.1
0.1	3.9"	0.3	2.1	82.7"	6.9	4.1	161.4"	13.5
0.2	7.9"	0.7	2.2	86.6"	7.2	4.2	165.4"	13.8
0.3	11.8"	1.0	2.3	90.6"	7.5	4.3	169.3"	14.1
0.4	15.7"	1.3	2.4	94.5"	7.9	4.4	173.2"	14.4
0.5	19.7"	1.6	2.5	98.4"	8.2	4.5	177.3"	14.8
0.6	23.6"	2.0	2.6	102.4"	8.5	4.6	181.1"	15.1
0.7	27.6"	2.3	2.7	106.3"	8.9	4.7	185.0"	15.4
0.8	31.5"	2.6	2.8	110.2"	9.2	4.8	189.0"	15.7
0.9	35.4"	3.0	2.9	114.2"	9.5	4.9	192.9"	16.1
1.0	39.4"	3.3	3.0	118.1"	9.8	5.0	196.9"	16.4
1.1	43.3"	3.6	3.1	122.0"	10.2	5.1	200.8"	16.7
1.2	47.2"	3.9	3.2	126.0"	10.5	5.2	204.7"	17.1
1.3	51.2"	4.3	3.3	129.9"	10.8	5.3	208.7"	17.4
1.4	55.1"	4.6	3.4	133.9"	11.2	5.4	212.6"	17.7
1.5	59.1"	4.9	3.5	137.8"	11.5	5.5	216.5"	18.0
1.6	63.0"	5.2	3.6	141.7"	11.8	5.6	220.5"	18.4
1.7	66.9"	5.6	3.7	145.7"	12.1	5.7	224.4"	18.7
1.8	70.9"	5.9	3.8	149.6"	12.5	5.8	228.3"	19.0
1.9	74.8"	6.2	3.9	153.5"	12.8	5.9	232.3"	19.4

➤ Meters to Inches - Multiply by X 39.3701

➤ Meters to Feet - Multiply by X 3.28084



25 Whaley Avenue, PO Box 310, Milverton, ON CANADA N0K 1M0
Tel: 800-561-3164

boshart.com ♦ blog.boshart.com