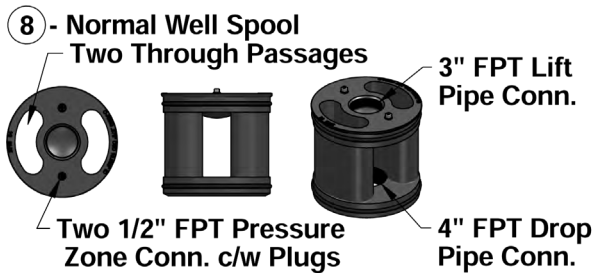
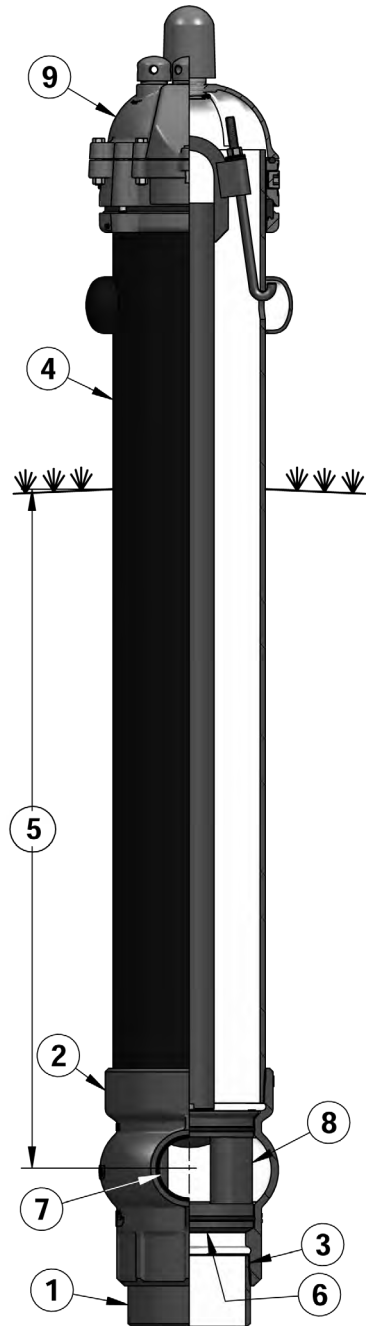


# REQUEST FOR QUOTATION 10" WELL CASING x 4" FPT DROP PIPE INDUSTRIAL PITLESS UNIT

COMPANY:		DATE:
CONTACT NAME:		JOB REF:
ADDRESS:		
CITY:	PROVINCE/STATE:	POSTAL CODE/ZIP:
PHONE:	FAX:	
E-MAIL:		# OF UNITS:

PART	DESCRIPTION	FIG.
P	Pitless Unit for Submersible Pump	
10	Well Casing Size	1
	Material:	1
	Material = D (Ductile Iron) or S (Stainless Steel)	2
W	Well Casing Connection = W (Weld Nipple, Hand Tightened Only) as standard option, can be removed to make a FPT Connection.	3
	<b>Upper Barrel Type:</b>	4
	<ul style="list-style-type: none"> <li>▪ B (Black Painted Steel) Standard 0.375" wall</li> <li>▪ I (Black Painted Steel) with Isolation Flanges</li> </ul> Suggested option for connecting a stainless steel pitless discharge housing to steel upper barrel / well casing to eliminate contact of dissimilar metals and galvanic corrosion.	
	<ul style="list-style-type: none"> <li>▪ S (304 Stainless Steel) Schedule 20 0.25" wall</li> <li>▪ H (304 Stainless Steel) Standard/Schedule 40 0.375" wall</li> <li>▪ P (PVC) Schedule 40 0.375" wall</li> </ul>	
	<b>Supplied with Hold-Down Hook / Torque Arrestor Assemblies</b>	
	Bury Depth = in feet 3, 4, 5, 6, 7, 8, 9, 10	5
F	Drop Pipe Connection - Female NPT (FPT) as standard option	6
4	Drop Pipe Size - 4" standard option	6
	Material:	6
F	Discharge Connection - Female NPT (FPT) as standard option	7
6	Discharge Size - 6" standard option	7
	Material:	7
N	<b>Well / Spool Type:</b>	8
	<ul style="list-style-type: none"> <li>▪ N (Normal Well) - Open Through Passage Spool</li> <li>▪ F (Flowing Well Spool) Not Available. Use a 10" x 6" Pitless Unit.</li> </ul>	
	<b>Well Cap:</b>	9
	<ul style="list-style-type: none"> <li>▪ C (Cast Iron) as standard option (PN: WTCL-C12)</li> <li>▪ N (No Cap)</li> </ul>	



8 - Flowing Well Spools (F) are not available in the 10" X 4" drop pipe. Use 10" X 6" drop pipe unit for 10" flowing well applications.

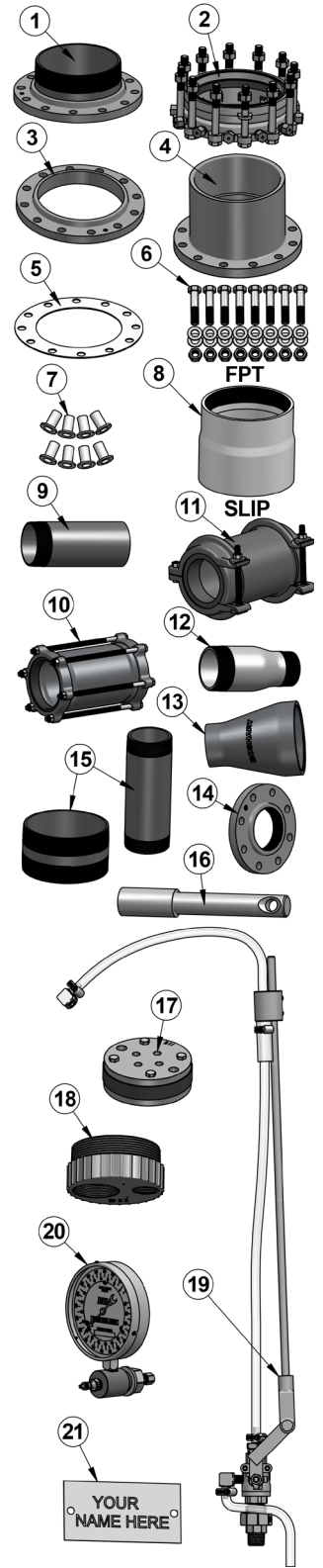


25 Whaley Avenue, PO Box 310, Milverton, ON CANADA N0K 1M0  
Tel: 800-561-3164

[boshart.com](http://boshart.com) ♦ [blog.boshart.com](http://blog.boshart.com)

	PART NAME	FIG.	DESCRIPTION	QTY.	
<b>WELL CASING</b> transition from 10" FPT	FL-DIQC-100	2	10" Ductile Iron Quick Connect Flange (EBAA #2110 MEGA Flange)		
	FL-FSM-100	1	10" MPT x 16" O.D. F.S. Flange / Sch. 40 Weld Nipple Assembly (5-1/4" L.)		
	FL-FSSW-100	3	10" SLIP x 16" O.D. F.S. Class 150 Flange		
	FL-SS304M-100	1	10" MPT x 16" O.D. 304 S.S. Flange / Sch. 40 Weld Nipple Assembly (5-1/4" L.)		
	FL-SS304SW-100	3	10" SLIP x 16" O.D. 304 S.S. Class 150 Flange		
	854-100	4	10" Slip x 16" O.D. PVC Class 150 Flange		
	IPA-DG10	5	10" x 16" O.D. Durlon Class 150 Gasket		
	IPA-SSBK10	6	10" S.S. Class 150 Bolt Kit (12) 3/4"-10NC x 4" L. Bolts c/w Nuts & Washers		
	IPA-IK10	7	10" Class 150 Flange Isolation Kit		
	GN-10060	15	10" x 6" Sch. 40 Galvanized Nipple		
	SS304N-10060	15	10" x 6" Sch. 40 304 S.S. Nipple		
	435-100F	8	10" FPT x 10" Slip PVC Female Adapter		
<b>DROP PIPE</b> transition from 4" FPT to...	GN-40120	15	4" x 12" Sch. 40 Galvanized Nipple		
	GHN-40120	15	4" x 12" Sch. 80 Galvanized Nipple		
	GHSWN-4020	12	4" MPT x 2" MPT x 9" L. Sch. 80 Zinc Plated Swage Nipple		
	IPGHRC-4030	13	4" MPT x 3" MPT x 9" L. Heavy Duty Zinc Plated Reducing Coupling		
	IPGHRC-6040	13	6" MPT x 4" MPT x 12" L. Heavy Duty Zinc Plated Reducing Coupling		
	<b>10" x 4" Drop Pipe Spools ONLY Available in 304 S.S., PVC or S.S. Drop Pipe Recommended to Avoid Dissimilar Metals.</b>				
	SSH304N-40120	15	4" x 12" Sch. 80 304 S.S. Nipple		
	SSH304SWN-4020	12	4" MPT x 2" MPT x 9" L. Sch. 80 304 S.S. Swage Nipple		
	IPSSH304RC-4030	13	4" MPT x 3" MPT x 9" L. Heavy Duty 304 S.S. Reducing Coupling		
	IPSSH304RC-6040	13	6" MPT x 4" MPT x 12" L. Heavy Duty 304 S.S. Reducing Coupling		
	<b>DISCHARGE</b> transition from 6" FPT to...	GHN-60120T	9	6" x 12" Sch. 80 Galvanized T.O.E. Nipple	
		MJ-DIQC-060	10	6" (6-5/8" O.D.) x 12" Ductile Iron M.J. Coupling (FORD #FC3-663-12-P)	
IPGHRC-6030		13	6" MPT x 3" MPT x 12" L. Heavy Duty Zinc Plated Reducing Coupling		
IPGHRC-6040		13	6" MPT x 4" MPT x 12" L. Heavy Duty Zinc Plated Reducing Coupling		
IPGHRC-8060		13	8" MPT x 6" MPT x 13" L. Heavy Duty Zinc Plated Reducing Coupling		
GHN-6060		15	6" x 6" Sch. 80 Galvanized Nipple		
FL-FST-030		14	3" FPT X 7-1/2" O.D. F.S. Class 150 Threaded Flange		
FL-FST-040		14	4" FPT X 9" O.D. F.S. Class 150 Threaded Flange		
FL-FST-060		14	6" FPT X 11" O.D. F.S. Class 150 Threaded Flange		
FL-FST-080		14	8" FPT X 13-1/2" O.D. F.S. Class 150 Threaded Flange		
SS304N-60120T		9	6" x 12" Sch. 80 304 S.S. T.O.E. Nipple		
MJ-SS304QC-060		11	6" (6-5/8" O.D.) x 11.70" 304 S.S. M.J. Coupling (ROBAR MODEL#1696-2B)		
IPSSH304RC-6030		13	6" MPT x 3" MPT x 12" L. Heavy Duty 304 S.S. Reducing Coupling		
IPSSH304RC-6040		13	6" MPT x 4" MPT x 12" L. Heavy Duty 304 S.S. Reducing Coupling		
IPSSH304RC-8060		13	8" MPT x 6" MPT x 13" L. Heavy Duty 304 S.S. Reducing Coupling		
SSH304N-6060		15	6" x 6" Sch. 80 304 S.S. Nipple		
FL-SS304T-030		14	3" FPT X 7-1/2" O.D. 304 S.S. Class 150 Threaded Flange		
FL-SS304T-040		14	4" FPT X 9" O.D. 304 S.S. Class 150 Threaded Flange		
FL-SS304T-060		14	6" FPT X 11" O.D. 304 S.S. Class 150 Threaded Flange		
FL-SS304T-080		14	8" FPT X 13-1/2" O.D. 304 S.S. Class 150 Threaded Flange		
852-030		14	3" FPT X 7-1/2" O.D. PVC Class 150 Threaded Flange		
852-040		14	4" FPT X 9" O.D. PVC Class 150 Threaded Flange		
852-060		14	6" FPT X 11" O.D. PVC Class 150 Threaded Flange		
852-080		14	8" FPT X 13-1/2" O.D. PVC Class 150 Threaded Flange		
IPA-DG03		5	3" x 7-1/2" O.D. Durlon Class 150 Gasket		
IPA-DG04		5	4" x 9" O.D. Durlon Class 150 Gasket		
IPA-DG06		5	6" x 11" O.D. Durlon Class 150 Gasket		
IPA-DG08		5	8" x 13-1/2" O.D. Durlon Class 150 Gasket		
IPA-SSBK03		6	3" S.S. Class 150 Bolt Kit (4) 5/8"-11NC x 3" L. Bolts c/w Nuts & Washers		
IPA-SSBK04		6	4" S.S. Class 150 Bolt Kit (8) 5/8"-11NC x 3" L. Bolts c/w Nuts & Washers		
IPA-SSBK06		6	6" S.S. Class 150 Bolt Kit (8) 3/4"-10NC x 3-1/2" L. Bolts c/w Nuts & Washers		
IPA-SSBK08		6	8" S.S. Class 150 Bolt Kit (8) 3/4"-10NC x 3-1/2" L. Bolts c/w Nuts & Washers		
IPA-IK03	7	3" Class 150 Flange Isolation Kit			
IPA-IK04	7	4" Class 150 Flange Isolation Kit			
IPA-IK06	7	6" Class 150 Flange Isolation Kit			
IPA-IK08	7	8" Class 150 Flange Isolation Kit			
<b>WELL CAP &amp; OTHER ACCESS.</b>	WCPNP	21	Aluminum Personalized Name Plate (See Pg.75 of Ind. Pitless Booklet)		
	WTCL-CLP	16	S.S. Locking Pins for Accessory Ports (See Pg.75 of Ind. Pitless Booklet)		
	WSVK05-12	19	1/2" MPT Water Sampling Valve Kit (See Pg.80 of Ind. Pitless Booklet)		
	WCDTK	20	Depth Tester Kit (See Pg.82 of Ind. Pitless Booklet)		
	WTCL-CS40-187-4	17	4" Conduit Cable Seal 0.087" - 0.187" O.D. (See Pg.84 of Ind. Pitless Booklet)		
	WTCL-CS40-312-4	17	4" Conduit Cable Seal 0.187" - 0.312" O.D. (See Pg.84 of Ind. Pitless Booklet)		
	WTCL-CS40-437-4	17	4" Conduit Cable Seal 0.312" - 0.437" O.D. (See Pg.84 of Ind. Pitless Booklet)		
	WTCL-CS40-563-4	17	4" Conduit Cable Seal 0.437" - 0.563" O.D. (See Pg.84 of Ind. Pitless Booklet)		
	WTCL-CS40-700-4	17	4" Conduit Cable Seal 0.563" - 0.700" O.D. (See Pg.84 of Ind. Pitless Booklet)		
	WTCL-CA40-2010	18	4" MPT x 2" FPT & 1" FPT Conduit Adapter (See Pg.85 of Ind. Pitless Booklet)		

**ALL FITTINGS & ACCESSORIES ARE OPTIONAL & QUOTED SEPARATELY**  
**10" WELL CASING x 4" FPT DROP PIPE INDUSTRIAL PITLESS UNIT**



# DIAMETER & LENGTH CONVERSION CHARTS

Pipe is identified by “nominal” size related only loosely to actual dimensions. Inch pipe products are called NPS or “nominal pipe size”) and their metric equivalents are called DN or “diameter nominal”. The metric designations conform to International Standards Organization (ISO) usage and apply to all plumbing piping.

NOMINAL PIPE SIZE CONVERSION TO METRIC SIZE					
mm	inch	mm	inch	mm	inch
3.2	1/8"	50	2"	200	8"
6.4	1/4"	65	2-1/2"	250	10"
9.5	3/8"	80	3"	300	12"
15	1/2"	90	3-1/2"	350	14"
20	3/4"	100	4"	400	16"
25	1"	115	4-1/2"	450	18"
32	1-1/4"	125	5"	500	20"
40	1-1/2"	150	6"		

► for larger pipe use 25 mm = 1"

METRIC TO IMPERIAL LENGTH								
metre	inch	feet	metre	inch	feet	metre	inch	feet
			2.0	78.7"	6.6	4.0	157.5"	13.1
0.1	3.9"	0.3	2.1	82.7"	6.9	4.1	161.4"	13.5
0.2	7.9"	0.7	2.2	86.6"	7.2	4.2	165.4"	13.8
0.3	11.8"	1.0	2.3	90.6"	7.5	4.3	169.3"	14.1
0.4	15.7"	1.3	2.4	94.5"	7.9	4.4	173.2"	14.4
0.5	19.7"	1.6	2.5	98.4"	8.2	4.5	177.3"	14.8
0.6	23.6"	2.0	2.6	102.4"	8.5	4.6	181.1"	15.1
0.7	27.6"	2.3	2.7	106.3"	8.9	4.7	185.0"	15.4
0.8	31.5"	2.6	2.8	110.2"	9.2	4.8	189.0"	15.7
0.9	35.4"	3.0	2.9	114.2"	9.5	4.9	192.9"	16.1
1.0	39.4"	3.3	3.0	118.1"	9.8	5.0	196.9"	16.4
1.1	43.3"	3.6	3.1	122.0"	10.2	5.1	200.8"	16.7
1.2	47.2"	3.9	3.2	126.0"	10.5	5.2	204.7"	17.1
1.3	51.2"	4.3	3.3	129.9"	10.8	5.3	208.7"	17.4
1.4	55.1"	4.6	3.4	133.9"	11.2	5.4	212.6"	17.7
1.5	59.1"	4.9	3.5	137.8"	11.5	5.5	216.5"	18.0
1.6	63.0"	5.2	3.6	141.7"	11.8	5.6	220.5"	18.4
1.7	66.9"	5.6	3.7	145.7"	12.1	5.7	224.4"	18.7
1.8	70.9"	5.9	3.8	149.6"	12.5	5.8	228.3"	19.0
1.9	74.8"	6.2	3.9	153.5"	12.8	5.9	232.3"	19.4

► Meters to Inches - Multiply by X 39.3701

► Meters to Feet - Multiply by X 3.28084



25 Whaley Avenue, PO Box 310, Milverton, ON CANADA N0K 1M0  
Tel: 800-561-3164

[boshart.com](http://boshart.com) ♦ [blog.boshart.com](http://blog.boshart.com)