

0826LH SERIES - FORGED BRASS BALL VALVE WITH LOCKING HANDLE

SPECIFICATIONS:

- Threads conform to ANSI/ASME B1.20.1
- 1/4" through 2" rated 600 PSI CWP, 2-1/2" through 4" rated 450 PSI CWP
- CWP (Cold Working Pressure): an indication of the pressure rating for valves at a temperature range of up to 100 °F (37 °C)
- WSP (Working Steam Pressure) Rating: 150 PSI saturated steam
- Maximum temperature rating: 350 °F (176 °C)
- Two piece full port forged brass body
- Blow-out proof stem
- PTFE seats and two FPM rubber O-rings at the stem for maximum safety
- Zinc plated steel locking handle with blue plastic sleeve
- The locking device covers the top nut of the valve making removal impossible without a key
- Can be locked in both the open and closed position



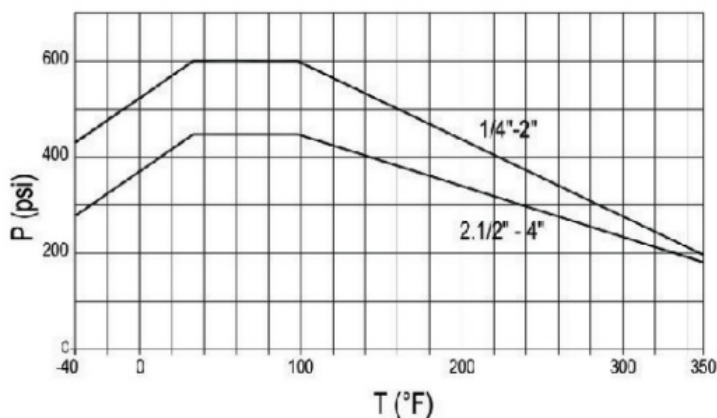
CERTIFICATIONS:

- CSA listed to the following standards, applies to 1/4"-2":
 - ANSI Z21.15 & CGA 9.1: 1/2 PSIG (1/2 PSI)
 - ASME B16.44 & CGA/CR91-002: 5 PSIG (5 PSI)
 - ASME B16.33 & CAN/CGA 3.16: 125 PSIG (BRS125G/CAN 3.16)
- UL listed to the following standards:
 - UL 258 (VQGU): Trim and drain valves - 600 PSI (1/4"- 2")
 - UL 1477 (YQNZ): Compressed gas shutoff valves - 600 PSI (1/4"- 2"), 450 PSI (2-1/2"- 4")
 - UL 842 (YRBX): Flammable liquid shutoff valves - 600 PSI (1/4"- 2"), 250 PSI (2-1/2"- 4")
 - UL 842 (YRPV): Gas shutoff valves - 600 PSI (1/4"- 2"), 250 PSI (2-1/2"- 4")
 - UL 842 (MHKZ): Manual valves - 600 PSI (1/4"- 2"), 250 PSI (2-1/2"- 4")
 - UL 125 (YSDT): LP-Gas shutoff valves - 600 PSI (1/4"- 2"), 450 PSI (2-1/2"- 4")
- FM Standard Approved: 1/4"- 2" FPT
- CRN Registered



PADLOCK NOT INCLUDED

PRESSURE AND TEMPERATURE RATING:



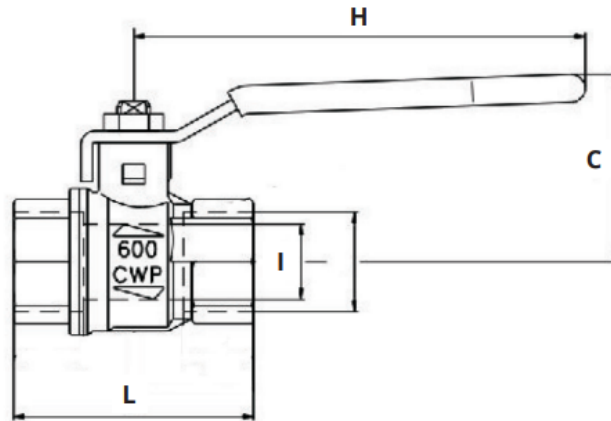
BOSHART
INDUSTRIES

25 Whaley Avenue, PO Box 310, Milverton, ON CANADA N0K 1M0
Tel: 800-561-3164

boshart.com ♦ blog.boshart.com

0826LH BALL VALVE MATERIALS AND DIMENSIONS:

MATERIAL LIST	
Part Name	Material
Body	Forged Brass (CW617N)
Seat Seal	Polytetrafluoroethylene (PTFE)
Ball	Chrome Plated Brass (CW617N)
Bonnet	Brass (CW617N)
Stem	Nickel Plated Brass (CW617N)
Nut	Zinc Plated Steel (CB4FF)
O-ring	Fluoro Rubber (FPM Rubber)
Handle & Sleeve	Zinc Plated Steel (DD11) & PVC



DIMENSIONS										
Part No.	Description	I		H		C		L		Weight grams
		in	mm	in	mm	in	mm	in	mm	
0826LH-02	1/4" FPT	0.31	8.00	3.22	82.00	1.56	39.70	1.77	45.00	151
0826LH-03	3/8" FPT	0.39	10.00	3.22	82.00	1.56	39.70	1.77	45.00	151
0826LH-05	1/2" FPT	0.59	15.00	3.93	100.00	1.69	43.10	2.32	59.00	241
0826LH-07	3/4" FPT	0.78	20.00	4.72	120.00	1.98	50.50	2.51	64.00	378
0826LH-10	1" FPT	0.98	25.00	4.72	120.00	2.15	54.70	3.18	81.00	624
0826LH-12	1-1/4" FPT	1.25	32.00	6.22	158.00	2.98	75.90	3.66	93.00	921
0826LH-15	1-1/2" FPT	1.57	40.00	6.22	158.00	3.23	82.20	4.01	102.00	1191
0826LH-20	2" FPT	1.96	50.00	6.22	158.00	3.50	88.90	4.76	121.00	1871
0826LH-25	2-1/2" FPT	2.55	65.00	10.03	255.00	5.19	132.00	6.14	156.00	4535
0826LH-30	3" FPT	3.14	80.00	10.03	255.00	5.51	140.00	6.96	177.00	6170
0826LH-40	4" FPT	3.93	100.00	10.03	255.00	6.06	154.00	8.50	216.00	10120

For more information on installation, adjustment, repair & operation, visit Boshart Knowledge Base at

SUPPORT.BOSHART.COM



BOSHART
INDUSTRIES

25 Whaley Avenue, PO Box 310, Milverton, ON CANADA N0K 1M0
Tel: 800-561-3164

boshart.com ♦ blog.boshart.com