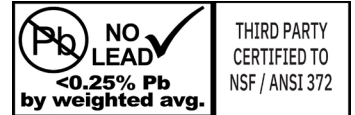


0827CNL SERIES NO LEAD FORGED BRASS FULL PORT BALL VALVE (CxC)

SPECIFICATION:

- Solder ends comply with ANSI B16.18
- Rated 600 PSI CWP -Cold Working Pressure is an indication of the pressure rating for valves at a temperature range of up to +100°F (37°C)
- Working Temperature: -20°~300°F (-28°~149°C)
- Full port
- Forged brass body
- Blow-out proof stem
- Solid Stainless Steel Ball - sizes 1/2" through 1"
- Hollow Stainless Steel Ball - sizes 1-1/4" through 4"
- Zinc plated steel handle with yellow plastic sleeve

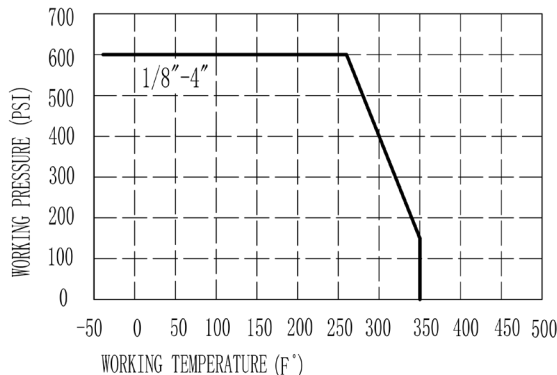


CERTIFICATION:

- NSF/ANSI Standard 61 & 372 Certified
- cUPC Standard IGC 157 Certified: 1/2" to 2" CxC
- UL listed to the following standards, 1/2" to 2" CxC
 - UL 1477 (YQNZ): Compressed gas shutoff valves - 600 PSI (1/2" to 1") 300 PSI (1-1/4" to 2")
 - UL 842 (YRBX): Flammable liquid shutoff valves - 600 PSI (1/2" to 1") 300 PSI (1-1/4" to 2")
 - UL 842 (YRPV): Gas shutoff valves - 600 PSI (1/2" to 1") 300 PSI (1-1/4" to 2")
 - UL 842 (MHKZ): Manual valves - 600 PSI (1/2" to 1") 300 PSI (1-1/4" to 2")
 - UL 125 (YSDT): LP-Gas shutoff valves - 600 PSI (1/2" to 1") 300 PSI (1-1/4" to 2")
- FM Standard 1140 Certified: 1/2" to 2" CxC
- CRN Registered



PRESSURE & TEMPERATURE RATING



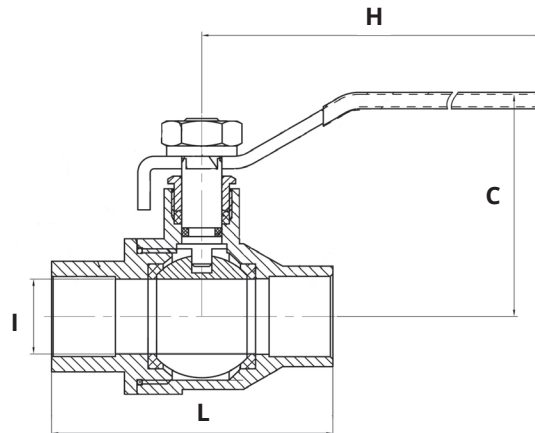
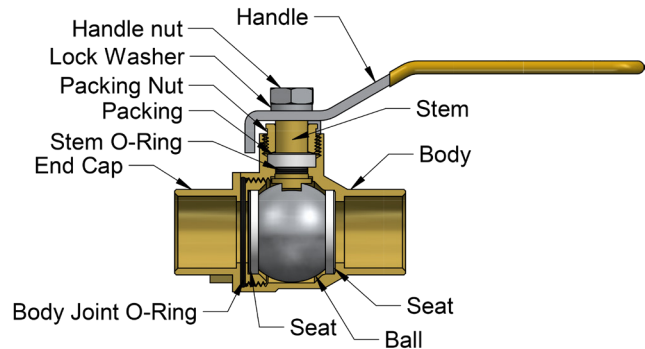
BOSHART
INDUSTRIES

25 Whaley Avenue, PO Box 310, Milverton, ON CANADA N0K 1M0
Tel: 800-561-3164

boshart.com ♦ blog.boshart.com

0827CNL SERIES NO LEAD FORGED BRASS FULL PORT BALL VALVE (CxC)

MATERIAL LIST	
Part Name	Material
Body/ End Cap	C46500 NL Brass
Seat	PTFE
Ball	SS304 Stainless Steel
Stem O-Ring	NBR Rubber
Packing Nut	C37700 Brass
Stem	C37700 Brass (1/2" - 2") SS304 Stainless Steel (2-1/2" - 4")
Handle Nut	Zinc Plated Steel
Lock Washer	Zinc Plated Steel
Packing	PTFE
Handle	Chrome Plated Steel
Body Joint O-Ring	Viton Rubber



DIMENSIONS											
Part No.	Description	Cv Rating	I		L		H		C		Weight grams
			inches	mm	inches	mm	inches	mm	inches	mm	
0827C-05NL	1/2" CxC	18.55	0.59	15.00	2.17	55.00	3.46	88.00	1.81	46.00	180
0827C-07NL	3/4" CxC	29.76	0.75	19.00	2.81	71.50	4.29	109.00	2.09	53.20	300
0827C-10NL	1" CxC	51.55	0.98	25.00	3.34	84.80	4.29	109.00	2.25	57.20	470
0827C-12NL	1-1/4" CxC	84.42	1.26	32.00	3.91	99.40	5.63	143.00	2.53	64.20	700
0827C-15NL	1-1/2" CxC	131.93	1.57	40.00	4.46	113.40	5.63	143.00	2.74	69.70	1000
0827C-20NL	2" CxC	200.35	1.94	49.30	5.45	138.50	5.63	143.00	3.04	77.20	1580
0827C-25NL	2-1/2" CxC	338.43	2.56	65.00	5.22	132.60	9.45	240.00	4.72	119.90	2910
0827C-30NL	3" CxC	445.44	2.95	75.00	5.77	146.60	9.45	240.00	5.32	135.10	3750
0827C-40NL	4" CxC	783.88	3.90	99.00	7.38	187.50	9.53	242.10	5.70	144.80	7150

BOSHART
INDUSTRIES

25 Whaley Avenue, PO Box 310, Milverton, ON CANADA N0K 1M0
Tel: 800-561-3164

boshart.com ♦ blog.boshart.com