

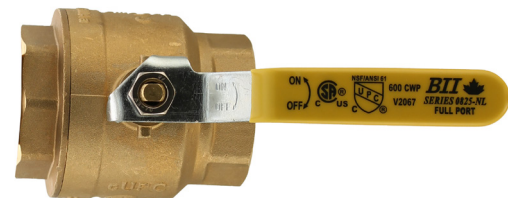
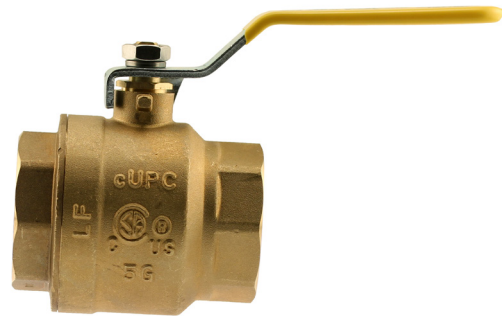
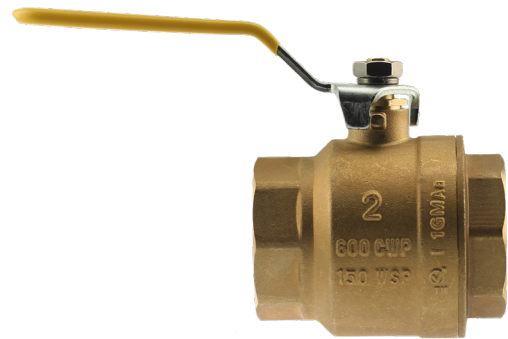
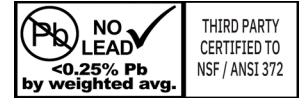
# 0825NL SERIES NO LEAD FORGED FULL PORT BRASS BALL VALVE (THREADED)

## SPECIFICATION:

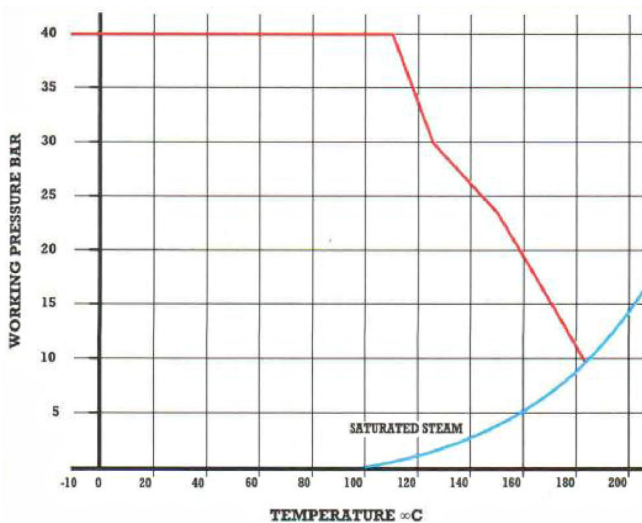
- Threads conform to ANSI / ASME B1.20.1
- Rated 600 PSI CWP Cold Working Pressure is an indication of the pressure rating for valves at a temperature range of up to +100°F (37°C)
- Working Temperature: -20° to 300°F (-28° to 149°C)
- Full port
- WSP (Working Steam Pressure) Rating: 150 PSI Saturated Steam
- Forged brass body
- Blow-out proof stem
- Solid Stainless Steel Ball - sizes 1/4" through 3/4"
- Hollow Stainless Steel Ball - sizes 1" through 2"
- Zinc plated steel handle with yellow plastic sleeve

## CERTIFICATION:

- NSF/ANSI Standard 61 & 372 Certified
- cUPC Standard IGC 157 Certified
- CSA listed to the following standards
  - ASME B16.44 & CGA/CR91-002: 5 PSIG (5G)



**PRESSURE & TEMPERATURE RATING**



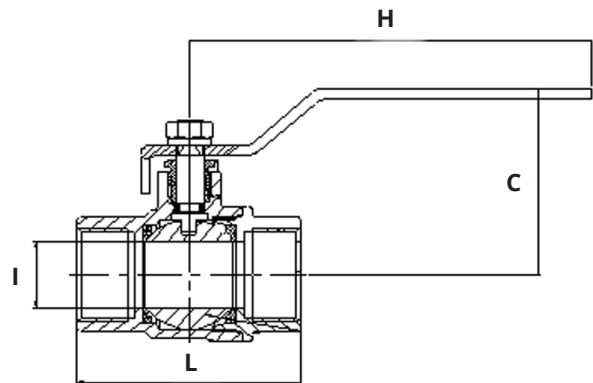
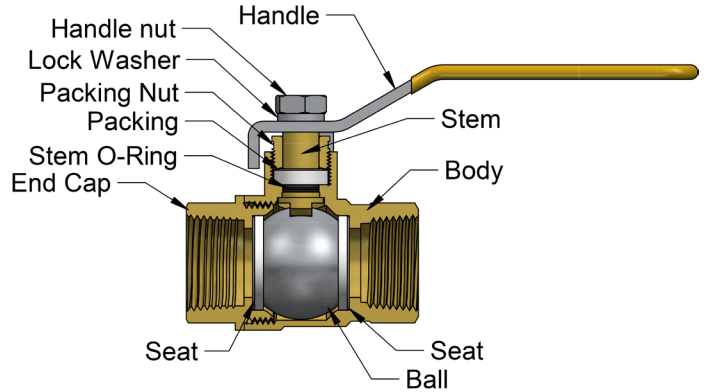
**BOSHART**  
INDUSTRIES

25 Whaley Avenue, PO Box 310, Milverton, ON CANADA N0K 1M0  
Tel: 800-561-3164

[boshart.com](http://boshart.com) ♦ [blog.boshart.com](http://blog.boshart.com)

# 0825NL SERIES NO LEAD FORGED FULL PORT BRASS BALL VALVE (THREADED)

MATERIAL LIST	
Part Name	Material
Body / End Cap	C46500 NL Brass
Ball	SS304 Stainless Steel
Seal seat	PTFE
Stem	C37700 Brass
Packing	PTFE
Packing nut	C37700 Brass
O-ring	EPDM
Handle+sleeve	Zinc Plated Steel + PVC
Washer	SS201 Stainless Steel
Handle Nut	SS201 Stainless Steel



DIMENSIONS										
Part No.	Description	I		C		L		H		Weight grams
		inches	mm	inches	mm	inches	mm	inches	mm	
0825-02NL	1/4" FPT	0.39	10.01	1.58	40.13	1.73	43.94	3.55	90.17	130
0825-03NL	3/8" FPT	0.39	10.01	1.58	40.13	1.75	44.45	3.78	96.01	130
0825-05NL	1/2" FPT	0.59	14.99	1.78	45.21	2.15	54.61	3.78	96.01	180
0825-07NL	3/4" FPT	0.79	19.99	2.13	54.10	2.48	62.99	3.98	101.09	280
0825-10NL	1" FPT	0.98	24.99	2.52	64.01	3.07	77.98	4.41	112.01	500
0825-12NL	1-1/4" FPT	1.26	32.00	2.65	67.31	3.44	87.38	5.04	128.02	700
0825-15NL	1-1/2" FPT	1.58	40.01	3.12	79.25	3.79	96.27	6.22	157.99	1080
0825-20NL	2" FPT	1.97	50.01	3.41	86.61	4.35	110.49	6.22	157.99	1590

**BOSHART**  
INDUSTRIES

25 Whaley Avenue, PO Box 310, Milverton, ON CANADA N0K 1M0  
Tel: 800-561-3164

[boshart.com](http://boshart.com) ♦ [blog.boshart.com](http://blog.boshart.com)