

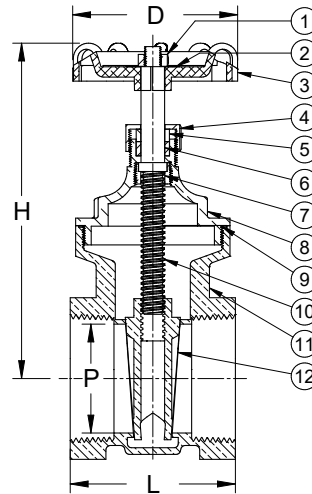
0818NL SERIES NO LEAD BRASS FULL PORT GATE VALVE (THREADED)

SPECIFICATION:

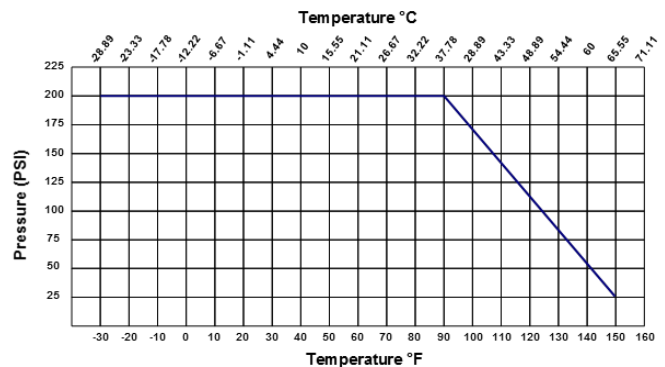
- Threads conform to ANSI / ASME B1.20.1
- Max Pressure Rating: 200 PSI CWP
- CWP - Cold Working Pressure, is an indication of the pressure rating for valves at a temperature of up to +100°F (37°C)
- Max temp rating: 150°F (66°C)
- Full Port
- Cast no lead brass body
- Non-rising stem
- Black cast hand wheel

CERTIFICATION:

- NSF/ANSI Standard 61 Certified



MATERIAL LIST		
Part No.	Part Name	Material
1	Wheel Nut	Brass Plated Steel
2	Name Plate	Aluminium
3	Hand Wheel	Black powder coated cast iron
4	Packing Nut	C89550 NL Brass
5	Gland Ring	C89550 NL Brass
6	Gland Packing	PTFE
7	Lock Nut	C89550 NL Brass
8	Bonnet	C89550 NL Brass
9	Bonnet Packing	Fibre
10	Stem	C89550 NL Brass
11	Body	C89550 NL Brass
12	Disc	C89550 NL Brass



DIMENSIONS												
Part No.	Description	Cv	P		D		L		H		Weight	
			inches	mm	inches	mm	inches	mm	inches	mm	grams	lbs
0818-02NL	1/4" FPT	3.96	0.43	11.00	2.09	53.00	1.71	43.50	2.91	74.00	285	0.628
0818-03NL	3/8" FPT	7.37	0.47	12.00	2.09	53.00	1.71	43.50	2.91	74.00	277	0.611
0818-05NL	1/2" FPT	9.75	0.53	13.50	2.09	53.00	1.71	43.50	2.91	74.00	280	0.617
0818-07NL	3/4" FPT	18.84	0.75	19.00	2.13	54.00	1.81	46.00	3.31	84.00	395	0.871
0818-10NL	1" FPT	31.82	0.98	25.00	2.48	63.00	2.13	54.00	3.90	99.00	575	1.268
0818-12NL	1-1/4" FPT	48.83	1.26	32.00	2.72	69.00	2.24	57.00	4.61	117.00	800	1.764
0818-15NL	1-1/2" FPT	74.65	1.50	38.00	3.15	80.00	2.44	62.00	5.08	129.00	990	2.183
0818-20NL	2" FPT	86.44	1.93	49.00	3.52	89.50	2.70	68.50	5.98	152.00	1525	3.362
0818-25NL	2-1/2" FPT	106.67	2.44	62.00	3.98	101.00	3.70	94.00	7.87	200.00	2895	6.382
0818-30NL	3" FPT	158.85	2.95	75.00	4.37	111.00	4.02	102.00	8.82	224.00	3705	8.168
0818-40NL	4" FPT	173.44	3.62	92.00	5.00	127.00	4.53	115.00	9.88	251.00	5930	13.073

The flow Coefficient (Cv) is the number of U.S. gallons that can pass through a valve when it is in the fully opened position at a pressure drop of 1 PSI. Testing is typically done by running water (specific gravity of 1.0 centistoke viscosity) at 60°F (°C).

BOSHART
INDUSTRIES

25 Whaley Avenue, PO Box 310, Milverton, ON CANADA N0K 1M0
Tel: 800-561-3164

boshart.com ♦ blog.boshart.com