

Three Switches for Three Very Different Applications:

Reverse Action

Cut-in (close the contacts) on rising air or water pressure. Designed to ground ignition on gas driven pumps and compressors when desired maximum pressure is reached. Can also act as low pressure alarm or to prevent pump operation at low pressure. Reset lever optional.

GARD-IT®

Wired in series with a conventional Furnas pressure switch. When failure of the water or air supply causes system pressure to fall considerably below the cut-in point of the regular pressure switch, the GARD-IT will disconnect the pump motor. When the water or air supply returns, the system is placed in automatic operation by depressing the manual reset lever until system pressure exceed the GARD-IT cut off level.

HI-GARD®

Wired in series with any system pressure switch, this special pressure switch is designed to cut-out (open the contacts) when a preset pressure is reached. Must be manually reset. HI-GARD pressure switch is used when it is desirable to limit the maximum pressure in a system.

Furnas Brand Special Application Switch Features Include:

- Corrosion resistant non-metallic cover
- No wire looping
- Straight through wiring
- Visible contacts
- No-drift pressure settings
- Captive cover screw
- Easy to adjust
- Ample wiring room
- Ground screws
- UL listed file #14861
- CSA certified file #LR36854



Electrical Ratings

Cat. No.	Control Circuit	Horsepower				
		1 Phase		3Phase		DC
		112V	240V	240V	480-600V	
69WR, 69WC	A600	1.5	2.0	3.0	—	1/4
69WH	A600	2.0	3.0	5.0	1.0	1/2

69WR Reverse Action

Min. Close Cut-In	Max. Open Cut-Out	Differential Range	Pressure Setting Adjustment Table	Horsepower				Factory Setting	NEMA 1 General Purpose Cat No.	Price \$
				1 Phase		3 Phase				
				120V	240V	240V	480/600V			
35 psi	150 psi	30-45 psi	K	1.5	2.0	3.0	—	125-95	69WR7	90.00
30 psi	100 psi	25-30 psi	L	1.5	2.0	3.0	—	100-75	69WR6	90.00
10 psi	80 psi	17-22 psi	M	1.5	2.0	3.0	—	50-30	69WR5	90.00
3 psi	40 psi	6-15 psi	N	1.5	2.0	3.0	—	10-5	69WR3	104.00
1 psi	18 psi	3-12 psi	O	1.5	2.0	3.0	—	7-3	69WR2	104.00

Discount Schedule E86

GARD-IT, HI-GARD

	Cut Off Adjustable Min.	Max.	Horsepower			Factory Setting	Static PSI	NEMA 1 General Purpose Cat No.	Price \$
			1 Phase		3 Phase				
			120V	240V					
Gard-It	3 psi	20 psi	1.5	2.0	3.0	12	150	69WC7	88.00
Hi-Gard	20 psi	100 psi	1.5	3.0	5.0	80	150	69WH6	84.00

PSI Table K

Cut-In-B		Cut-Out A
Min.	Max.	
65	80	35
70	85	40
80	95	50
90	105	60
100	115	70
110	125	80
120	135	90
130	145	100
140	150	110
150	150	120

PSI Table L

Cut-In-B		Cut-Out A
Min.	Max.	
50	60	30
61	70	40
71	80	50
82	90	60
92	100	70
100	100	80

PSI Table M

Cut-In-B		Cut-Out A
Min.	Max.	
25	32	10
36	42	20
46	52	30
56	62	40
67	72	50
78	80	60
80	80	62

PSI Table N

Cut-In-B		Cut-Out A
Min.	Max.	
9	18	3
11	20	5
16	25	10
21	30	15
26	35	20
30	40	23

PSI Table O

Cut-In-B		Cut-Out A
Min.	Max.	
4	13	1
5	14	2
6	15	3
7	16	4
8	17	5
10	18	6

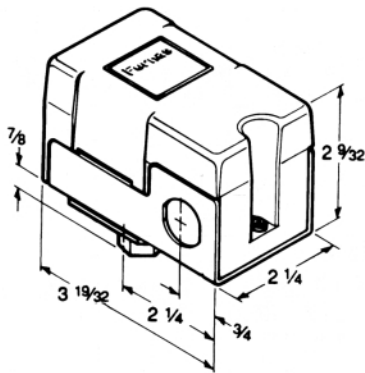


Modifications

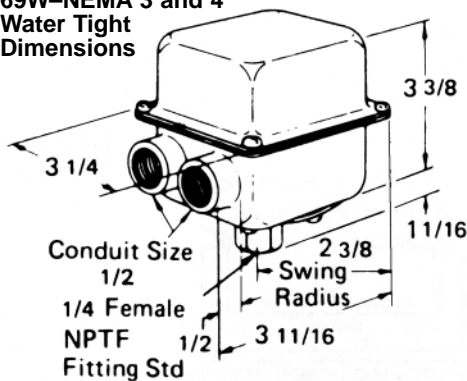
Description	Catalog Number Suffix Add suffixes in order shown	Unit Price Addition \$
Auto-off disconnect lever	L	9.00
1/4" quick connects (load terminal only)	A	1.00
Pulsation orifice	B	1.00
Two rubber grommets for 1/2" conduit hole	G	3.00
NEMA 3 outdoor weatherproof enclosure- <i>Cannot be used with auto-off disconnect switch</i>	W (no minimum)	256.00
NEMA 4 watertight enclosure- <i>Cannot be used with auto-off disconnect switch</i>	X (no minimum)	384.00
Pipe Fittings		
1/4" male NPT	2A	N/C
1/8" female NPT	2B	3.00
3/8" female NPT	2J	N/C
Straight mini barb for 1/4" plastic tube	2M	3.00
Special pressure settings: Suffix Z is followed by setting Example: 69WA4Z2040	Z†	N/C

† See Instruction Sheet included with switch for manual adjusting instructions.

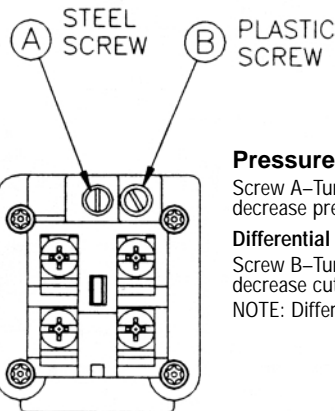
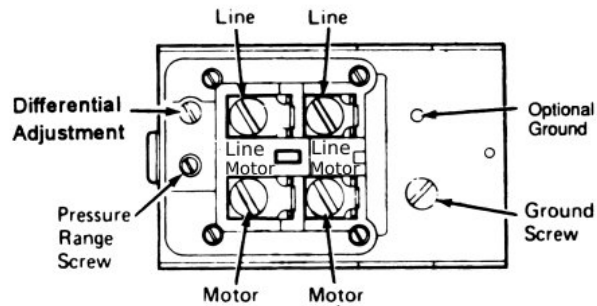
69W Dimensions



**69W-NEMA 3 and 4
Water Tight
Dimensions**



Connection Diagram



Pressure Adjustment Settings

Screw A—Turn clockwise to increase and counterclockwise to decrease pressure range (both cut-in and cut-out).

Differential Adjustment

Screw B—Turn clockwise to increase and counterclockwise to decrease cut-out pressure.

NOTE: Differentials shown on tables (over) are averages only.

