

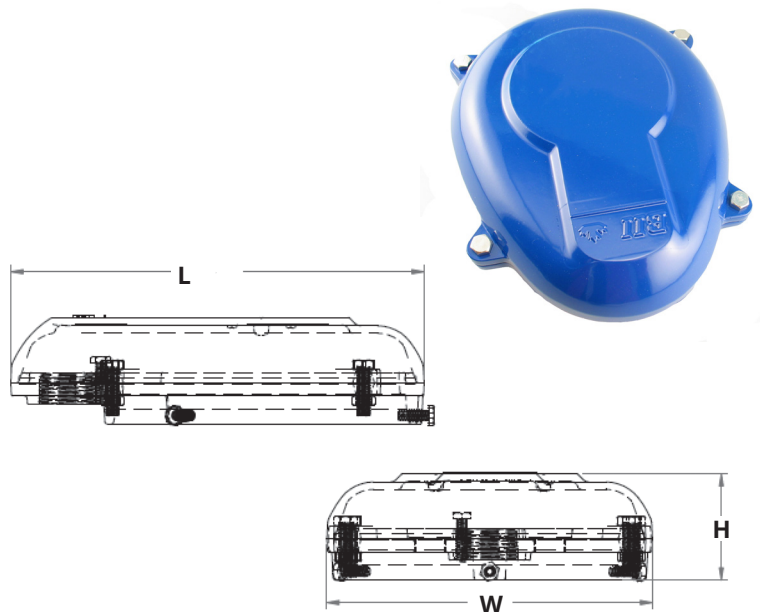
WTC SERIES WATERTIGHT WELL CAPS FOR STEEL OR PVC WELL CASING

SPECIFICATION:

- Easy to install
- Vermin proof with 2 large (3/4") screened air vents
- Greater clearance for submersible pump cable
- Easy access for maintenance
- O-ring system ensures reliable watertight seal between well casing and retainer ring
- Positive compression achieved by tightening 4 bolts
- Includes grounding terminal with bolt and well log



MATERIAL LIST	
Description	Materials
Top	Aluminum (ABS *)
Bolts	Stainless Steel
Cover Gasket	Rubber (NBR)
Vents	Brass
Vent Screen	Stainless Steel
Ground Bolt	Stainless Steel
Bottom	Aluminum
Bolts	Stainless Steel
Nuts	Stainless Steel
O-Ring	Rubber (NBR)



DIMENSIONS										
Part No.	Casing Size		Conduit Connection	L		H		W		Weight grams
	I.D.	O.D.	FPT	inches	mm	inches	mm	inches	mm	
WTC-A04	4"	4-1/2"	1"	8.05	0.32	2.67	0.11	6.34	0.25	1325
WTC-A05	5"	5-9/16"	1"	9.11	0.36	2.67	0.11	7.60	0.30	1440
WTC-A06	6"	6-5/8"	1"	10.18	0.40	2.61	0.10	8.02	0.32	1645
WTC-A06-BLUE	6"	6-5/8"	1"	10.18	0.40	2.61	0.10	8.02	0.32	1645
WTC-A06-12	6"	6-5/8"	1-1/4"	10.18	0.40	2.61	0.10	8.02	0.32	1645
WTC-A06-12-BLUE	6"	6-5/8"	1-1/4"	10.18	0.40	2.61	0.10	8.02	0.32	1645
WTC-PA06 *	6"	6-5/8"	1"	10.18	0.40	2.61	0.10	8.02	0.32	1110

* ABS cover with Aluminum lower ring for steel casing



25 Whaley Avenue, PO Box 310, Milverton, ON CANADA N0K 1M0
Tel: 800-561-3164

boshart.com ♦ blog.boshart.com