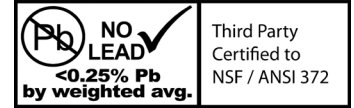


RVHDNL SERIES NO LEAD HEAVY DUTY RELIEF VALVES

SPECIFICATION:

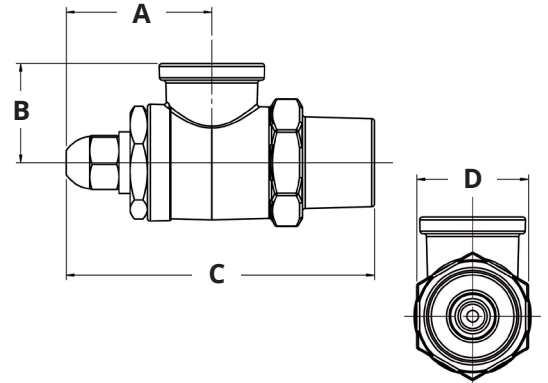
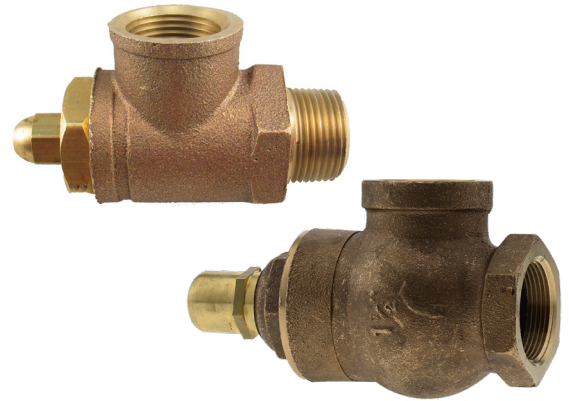
- Threads conform to ANSI/ASME B1.20.1
- Max Operating Temperature: 140°F (60°C)
- Heavy duty cast brass body
- Stainless steel spring



CERTIFICATION:

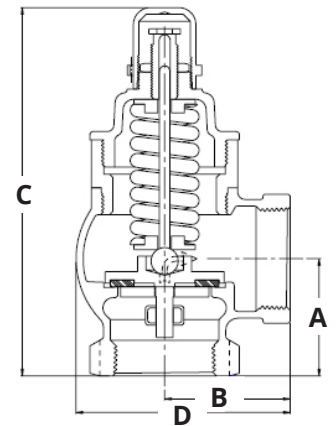
- NSF/ANSI Standard 372 Certified

MATERIAL LIST	
Part Name	Material
Body	No Lead Brass
Valve Screw	Stainless Steel
Disc Washer	No Lead Brass
Rubber Gasket	Neoprene (1/2", 3/4" & 1") Buna-N (1-1/4")
Valve Holder	No Lead Brass
Spring Button	Stainless Steel (1/2" & 3/4") No Lead Brass (1" & 1-1/4")
Spring	Stainless Steel
Bonnet	No Lead Brass
Adjusting Screw	No Lead Brass
Adjusting Screw Cap	No Lead Brass



DIMENSIONS						
Part No.	Description		Factory Pre-Set PSI	Range PSI		Max Flow GPM @ 120 PSI
	Inlet	Outlet		Min	Max	
RVHD05NL	1/2" MPT	1/2" FPT	75	10	150	-
RVHD07NL	3/4" MPT	3/4" FPT	75	10	100	-
RVHD10NL	1" MPT	3/4" FPT	75	50	200	-
RVHD12NL	1-1/4" MPT	1-1/4" FPT	65	50	200	-
RVHD15NL *	1-1/2" MPT	1-1/2" FPT	65	-	-	70
RVHD20NL *	2" MPT	2" FPT	65	-	-	80

DIMENSIONS									
Part No.	A		B		C		D		Weight grams
	inches	mm	inches	mm	inches	mm	inches	mm	
RVHD05NL	1.56	39.62	1.06	26.92	3.30	83.82	1.19	30.23	290
RVHD07NL	1.81	45.97	1.56	39.62	3.69	93.73	1.44	36.58	454
RVHD10NL	1.50	38.10	1.56	39.62	4.41	112.01	1.75	44.45	635
RVHD12NL	2.14	54.36	1.75	44.45	6.56	166.62	2.63	66.80	1452
RVHD15NL *	6.79	172.47	3.94	100.08	2.31	58.67	2.16	54.86	2310
RVHD20NL *	6.53	165.86	4.36	110.74	2.63	66.80	2.56	65.02	2490



* Field adjustment not recommended

BOSHART
INDUSTRIES

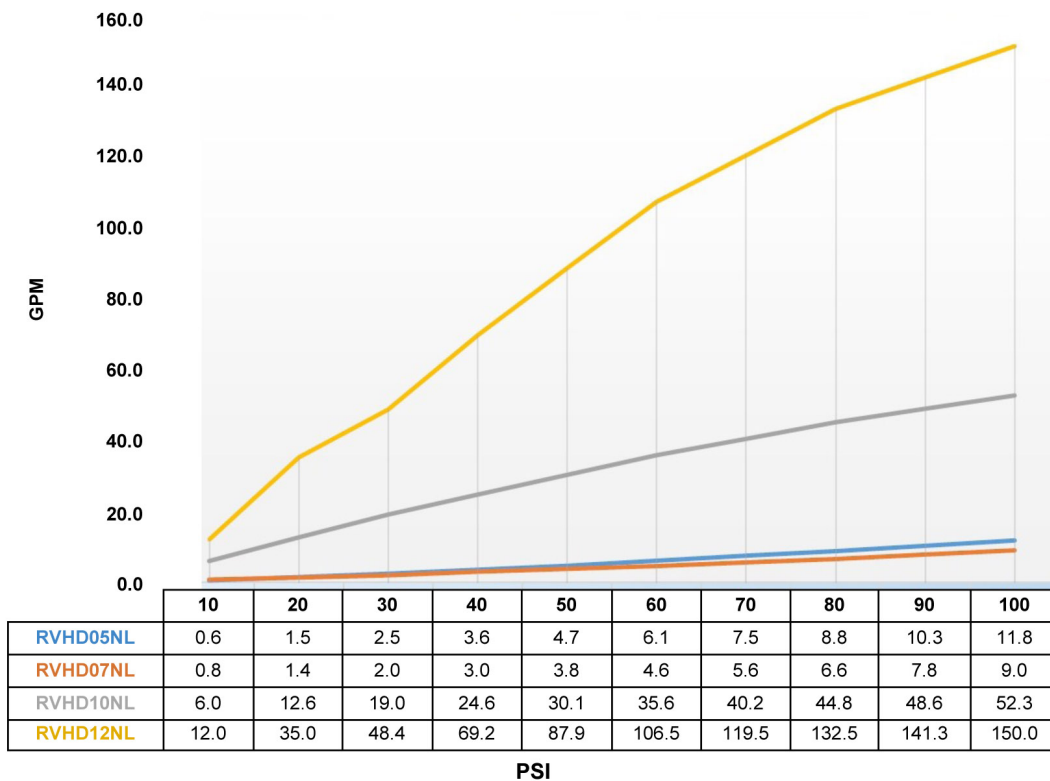
25 Whaley Avenue, PO Box 310, Milverton, ON CANADA N0K 1M0
Tel: 800-561-3164

boshart.com ♦ blog.boshart.com

RVHDNL SERIES NO LEAD HEAVY DUTY RELIEF VALVES

Pressure relief valves are recommended for all cold water system installations to protect against damage to piping and pressure tanks. Valves will be sold at factory pre-set PSI only. Accuracy +/- 15% of factory pre-set PSI. While field adjustments are not recommended the approximate operating range has been provided by the manufacturer. Any changes made to the pre-set pressure is entirely at the risk of the person/company who makes the adjustment. Any changes made should be thoroughly tested for accuracy at the time of installation. Neither the manufacturer or Boshart Industries will assume liability or responsibility caused as a result of adjusting the relief valve setting. If the pressure setting is adjusted, it will void any warranty or return of the product. Relief valves must be installed so that they drain to a floor drain, sump or other safe location with an air brake. If an outlet pipe is used then it must be at least the same diameter as the relief valve outlet. **For cold water use only. These valves are not T & P valves that are required with water heaters.**

**Bypass Flow Rate
Pressure x GPM (max)**



25 Whaley Avenue, PO Box 310, Milverton, ON CANADA N0K 1M0
Tel: 800-561-3164

boshart.com ♦ blog.boshart.com