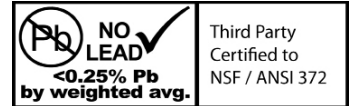


2" DIAL PRESSURE GAUGE CENTER BACK MOUNT

APPLICATION:

General purpose gauge, for potable water pumps & systems, these gauges are suitable for compressors, hydraulic presses, machinery, pneumatic equipment and motors, for most commercial air, water and steam services. To be used with fluid medium which does not clog connection or corrode copper alloy.

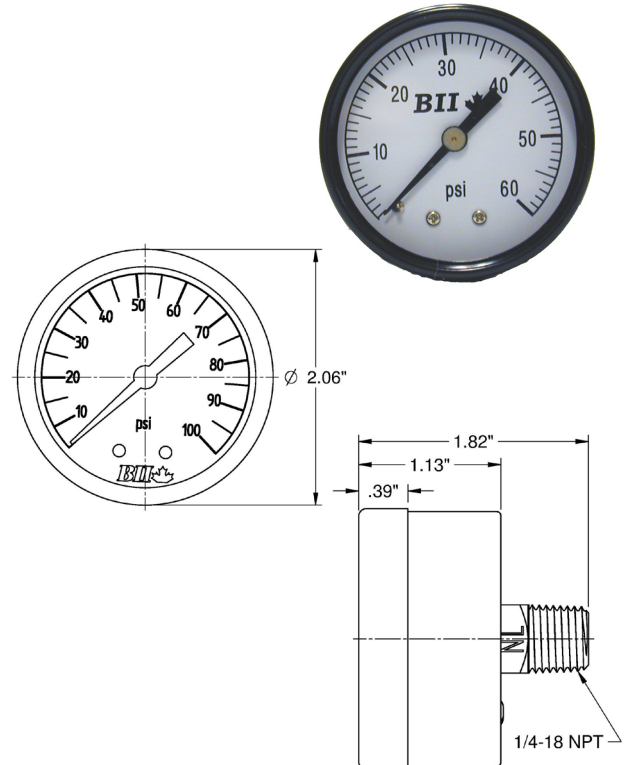
Not for use with oxygen, natural gas or propane.



CERTIFICATION:

- NSF/ANSI Standard 372 Certified (No Lead Series Only)

GAUGE SPECIFICATIONS	
Standard	ASME B40.1
Dial	2" (51mm) white aluminum dial
Case	Steel or ABS
Lens	Acrylic
Ring (Bezel)	N/A
Connection	Brass / No Lead Brass (NL)
Bourdon Tube	Copper alloy
Fill Liquid	N/A
Pointer	Aluminum (Anodized Black)
Welding	Tin Solder
Working Pressure	Maximum 75% of Full Scale Value (F.S.V.)
Ambient Op. Temp.	-40°F to 140°F (-40°C to 60°C)
Media Op. Temp.	Max. 140°F (60°C)
Accuracy	3% - 2% - 3% Grade B
Enclosure Rating	General Purpose



DIMENSIONS					
Part No.	No Lead Part No.	Connection	Range	Increments	Weight
			PSI		grams
Steel Case					
N/A	PGCBM-1-30NL	1/4" MPT	0-30	0.5	95
PGCBM-1-60	PGCBM-1-60NL	1/4" MPT	0-60	1	95
N/A	PGCBM-0-100NL	1/8" MPT	0-100	1	90
PGCBM-1-100	PGCBM-1-100NL	1/4" MPT	0-100	1	95
PGCBM-1-160	PGCBM-1-160NL	1/4" MPT	0-160	2	95
PGCBM-1-200	PGCBM-1-200NL	1/4" MPT	0-200	2	95
ABS Case					
PGPCBM-1-60	PGPCBM-1-60NL	1/4" MPT	0-60	1	65



25 Whaley Avenue, PO Box 310, Milverton, ON CANADA N0K 1M0
Tel: 800-561-3164

boshart.com ♦ blog.boshart.com