

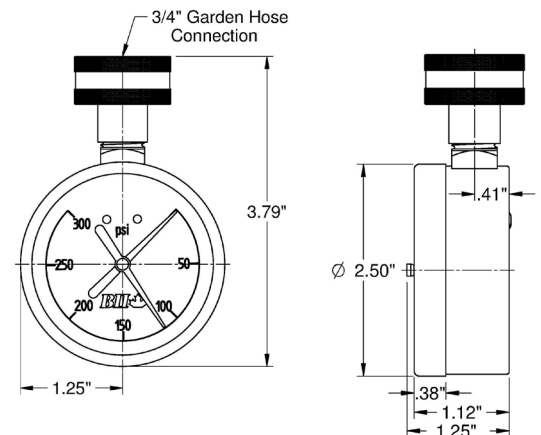
2-1/2" WATER TEST GAUGE / MAX PRESSURE INDICATOR GAUGE

APPLICATION:

- Designed to measure and register water system pressure within a system
- Ideal for recording the highest pressure reached to determine if a Pressure Reducing Valve (P.R.V.) is required as well as to trouble shoot problems caused by thermal expansion or pressure spikes
- 3/4" swivel hose connection with knurled grip allows for direct connection to a water heater drain valve or hose bibb
- Maximum pressure indicator needle can be reset by turning the external knob counter clockwise



GAUGE SPECIFICATIONS	
Standard	ASME B40.1
Dial	2-1/2" (63.5mm) white aluminum dial
Case	Steel
Lens	Acrylic
Ring (Bezel)	N/A
Connection	Brass
Bourdon Tube	Brass
Fill Liquid	N/A
Movement	Brass
Pointers	Aluminum (Anodized Black & Red)
Welding	Tin Solder
Working Pressure	Maximum 75% of Full Scale Value (F.S.V.)
Ambient Op. Temp.	-40°F to 140°F (-40°C to 60°C)
Media Op. Temp.	Max. 140°F (60°C)
Accuracy	3% - 2% - 3% Grade B
Enclosure Rating	General Purpose



DIMENSIONS				
Part No.	Connection	Range	Increments	Weight
		PSI		grams
PG25-WTG200MP	3/4" FPT	0-200	10	140
PG25-WTG300	3/4" FPT	0-300	10	160
PG25-WTG300MP	3/4" FPT	0-300	10	160

BOSHART
INDUSTRIES

25 Whaley Avenue, PO Box 310, Milverton, ON CANADA N0K 1M0
Tel: 800-561-3164

boshart.com ♦ blog.boshart.com