

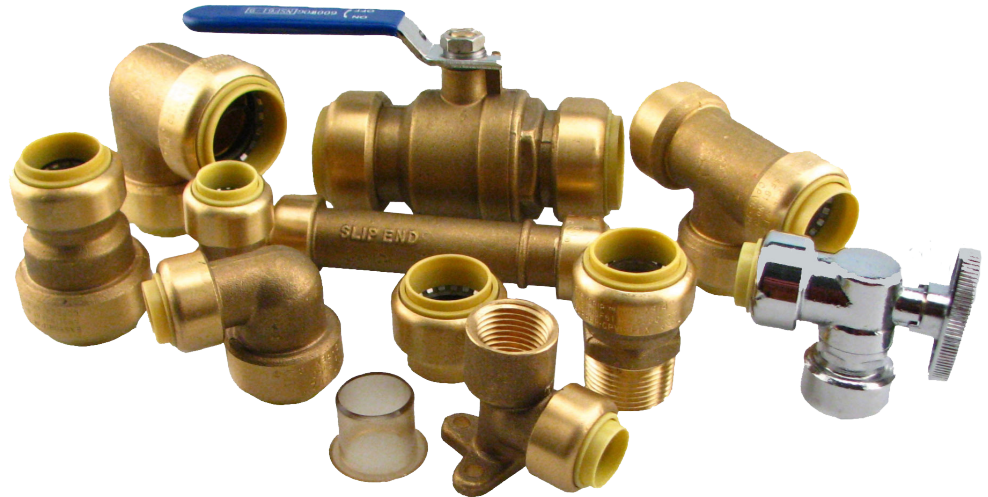
PUSH FIT

BOSHART
INDUSTRIES

FITTINGS

Push Fit Fittings and valves are available in sizes from 1/2" to 1" designed for connecting fittings and valves to Copper, CPVC and PEX Pipe and are ideal for use on plumbing, water heaters and hydronic heating systems. Due to their unique design utilizing high quality EPDM O-ring and #304 Stainless Steel gripper ring no soldering, crimping, or solvent welding is necessary.

SIMPLY PUSH, CONNECT, AND GO!



APPLICATIONS

- Potable Water and Hydronic heating systems - approved for use for both underground and behind walls with/without access panels.
- New residential and commercial construction - a fast easy way to plumb jobs.
- Excellent for wet, hazardous and dry repairs of existing plumbing.
- Excellent for wet repairs where a system is hard to drain making soldering difficult with no drying time required, a safe method to repair piping in hard to access situations where open flame could be a fire hazard for soldering.
- Push fit fittings can be utilized in underground applications and as manufactured joints without access panels. To be installed in accordance with the manufacturer's instructions and the latest edition of the Uniform Plumbing Code.

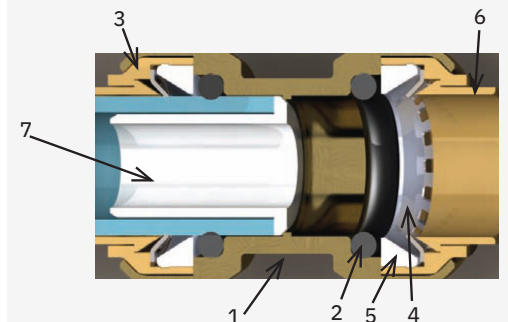
FEATURES

- Connects Copper, CPVC and PEX pipe in any combination. For tube sizes 1/2" (0.625" O.D.), 3/4" (0.875" O.D.), 1" (1.125" O.D.)
- Full fluid flow (without stiffener inserts)
- Fast installation, fittings can be rotated after assembly for easier installation in tight spaces - No tools required.
- No soldering, flux, clamps, unions or glue.
- High quality materials including Stainless Steel Gripper ring and EPDM O-ring.
- Integral tube liner for PEX installations.
- Easy to disconnect if needed. Disconnection of a joint can only be accomplished by using a special disconnect tool (plastic disassembly clip) to release the tube.

CERTIFICATION

- **IAPMO Certification**
Products comply with the applicable sections of the latest edition of the Uniform Plumbing Code® and the International Plumbing Code®. Models listed to the National Plumbing Code of Canada and Relevant Canadian Standard(s) shall bear the cUPC mark of conformity.
- **IAPMO Drinking Water System Components**
Manufactured in compliance with NSF/ANSI 61-2008.
- **Push Fittings**
Manufactured in compliance with ASSE 1061-2006.
- **Ball Valves**
Manufactured in compliance with IGC 157-2010.

CONSTRUCTION/RATINGS



- | | |
|-----------------|-----------------|
| 1) Body | 4) Gripper Ring |
| 2) O-Ring | 5) Seat Ring |
| 3) Locking Ring | 6) Push Ring |
| | 7) Insert |

- Max Pressure 200 psi (1378 kPa)
- Max Temp 200°F (93°C) - Water

BOSHART.COM • 1-800-561-3164

To Learn More Visit BoshartU.com