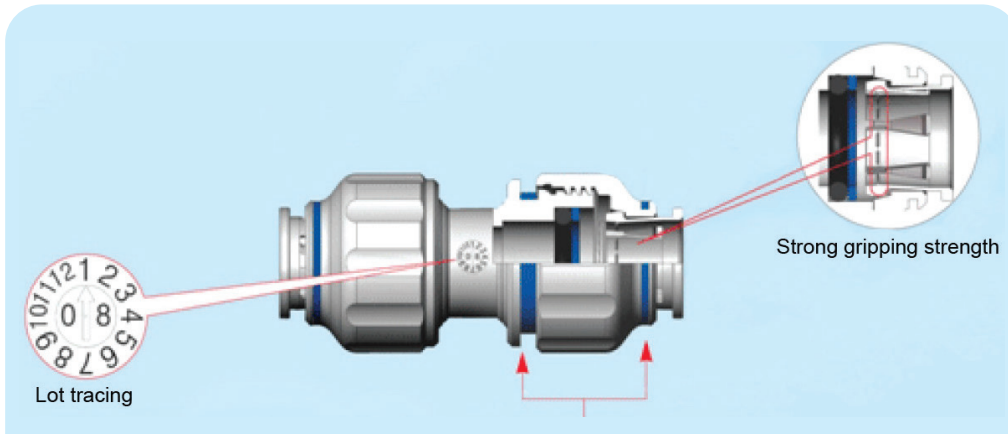


EEZEY CONNECTIONS

BOSHART
INDUSTRIES

TWIST-AND-LOCK FITTINGS



MAXIMUM WORKING PRESSURE AT
MAXIMUM WORKING TEMPERATURE

PSI	°F
250	73.4°
150	140°
100	180°

SIZING

O.D.	TUBE
1/4"	-
3/8"	1/4"
1/2"	3/8"
5/8"	1/2"
7/8"	3/4"
1-1/8"	1"

IN COMPLIANCE
WITH:



FEATURES

- For use with copper, PEX, CPVC pipe/tubing
- All white fittings with color coded rings for easy recognition of size
- Easy verification of coupling (lock/unlock) status at a distance
- Removable and re-useable without damage to plumbing or fittings
- Permanent anti-leak connection, strong gripping suitable for eating systems
- No risk of flame or fire from a blowtorch
- No corrosion or scale deposits
- No lead, non-toxic
- No need to use collet locking clip
- Lot tracing on all products
- Variety of 1/4 Turn shut off and supply valves available

The use of tube inserts (stiffeners) is required with fittings for PEX pipe and plastic tubing.



BOSHART.COM • 1-800-561-3164

To Learn More Visit BoshartU.com