

BL(G)MPCS(H)S SERIES MERCHANT STEEL COUNTERSUNK SQUARE & HEX SOCKET PLUG

SPECIFICATION:

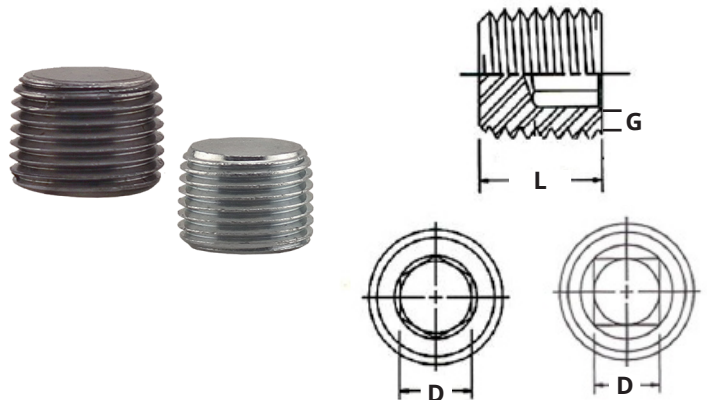
- Dimensions conform to ASME B16.14 / SAE J531
- Materials conform to ASTM A108 / ASME B633.07
- Threads conform to Dryseal NPT



CERTIFICATION:

- NSF/ANSI Standard 372 Certified (GMPC series only)

MATERIAL LIST	
Name	Percent of Composition
Steel (ASTM A53)	
Iron (Fe)	99.622
Carbon (C)	0.17 Max
Manganese (Mn)	0.037
Phosphorus (P)	0.005 Max
Sulfur (S)	0.016
Silicone (Si)	0.15 Min
GMC - Hot Dipped Galvanized (ASTM 153)	
Zinc (Zn)	99.99



DIMENSIONS									
Part No.	Part No.	Size	L		D		G		Weight
Black	Galvanized	MPT	inches	mm	inches	mm	inches	mm	grams
Square Socket									
BLMPCSS-01	GMPCSS-01	1/8"	0.29	7.37	0.19	4.88	0.06	1.52	5
BLMPCSS-02	GMPCSS-02	1/4"	0.45	11.30	0.26	6.48	0.09	2.29	9
BLMPCSS-03	GMPCSS-03	3/8"	0.45	11.30	0.32	8.10	0.13	3.30	14
BLMPCSS-05	GMPCSS-05	1/2"	0.59	14.99	0.38	9.70	0.16	4.06	32
BLMPCSS-07	GMPCSS-07	3/4"	0.60	15.24	0.51	12.90	0.18	4.57	45
BLMPCSS-10	GMPCSS-10	1"	0.75	19.05	0.51	12.90	0.20	5.08	95
BLMPCSS-12	GMPCSS-12	1-1/4"	0.80	20.32	0.75	19.05	0.22	5.59	168
BLMPCSS-15	GMPCSS-15	1-1/2"	0.83	21.08	0.75	19.05	0.24	6.10	200
BLMPCSS-20	GMPCSS-20	2"	0.88	22.35	0.88	22.23	0.26	6.60	390
Hex Socket									
BLMPCHS-01	GMPCHS-01	1/8"	0.29	7.37	0.19	4.76	0.06	1.52	5
BLMPCHS-02	GMPCHS-02	1/4"	0.45	11.30	0.25	6.35	0.09	2.29	9
BLMPCHS-03	GMPCHS-03	3/8"	0.45	11.30	0.31	7.94	0.13	3.30	14
BLMPCHS-05	GMPCHS-05	1/2"	0.59	14.99	0.38	9.53	0.16	4.06	27
BLMPCHS-07	GMPCHS-07	3/4"	0.60	15.24	0.56	14.29	0.18	4.57	45
BLMPCHS-10	GMPCHS-10	1"	0.75	19.05	0.63	15.88	0.20	5.08	95
BLMPCHS-12	GMPCHS-12	1-1/4"	0.80	20.32	0.75	19.05	0.22	5.59	168
BLMPCHS-15	GMPCHS-15	1-1/2"	0.83	21.08	1.00	25.40	0.24	6.10	200
BLMPCHS-20	GMPCHS-20	2"	0.88	22.35	1.00	25.40	0.26	6.60	390

BOSHART
INDUSTRIES

25 Whaley Avenue, PO Box 310, Milverton, ON CANADA N0K 1M0
Tel: 800-561-3164

boshart.com ♦ blog.boshart.com