

# 28-SSDPC SERIES 304 STAINLESS STEEL DROP PIPE COUPLING

## SPECIFICATION:

- Materials conform to ASTM A351
- Threads conform to ANSI/ASME B1.20.1
- Extra deep threading for increased thread engagement / load bearing capacity
- 45° inside chamfer at both ends for trouble-free starting of threads
- Wrench flats on side for easier installation

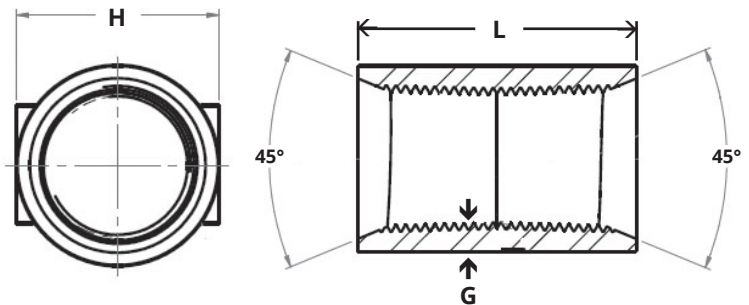


## CERTIFICATION:

- NSF/ANSI Standard 372 Certified

PRESSURE & TEMPERATURE RATING	
Temperature °F (°C)	Class 150, PSIG
-20 to 150 (-29 to 66)	300
200 (93)	265
250 (121)	225
300 (149)	185
350 (177)	150

MATERIAL LIST	
Name	Percent of Composition
304 Stainless Steel	
Iron (FE)	64.0 - 72.0
Carbon (C)	0.08 max
Silicone (Si)	2.00 max
Manganese (Mn)	1.50 max
Phosphorus (P)	0.04 max
Sulfur (S)	0.04 max
Chromium (Cr)	18.0 - 21.0
Nickel (Ni)	8.0 - 11.0
Molybdenum (Mo)	0.05 max



DIMENSIONS									
Part No.	Size	Weight Rating	H		L		G		Weight
	FPT	Lbs	inches	mm	inches	mm	inches	mm	
28-SSDPC-10	1"	6500	1.66	42.16	2.50	63.50	0.20	5.08	320
28-SSDPC-12	1-1/4"	10000	2.00	50.80	2.50	63.50	0.20	4.98	370
28-SSDPC-15	1-1/2"	12000	2.29	58.04	2.50	63.50	0.22	5.59	470
28-SSDPC-20	2"	12500	2.75	69.85	2.50	63.50	0.21	5.41	550

**Disclaimer:** The weight rating only applies to the 28-SSDPC-xx. All tensile testing results consistently conclude in joint failure due to the elongation of the male threads on the drop/riser pipe. It is therefore recommended that the installer acquire the male pipe thread load capacity data of the drop/riser pipe from the pipe manufacturer. The loads must not exceed either the coupling or drop/riser pipe load capacity. The maximum load bearing weight of the pipe will vary significantly depending on the pipe material. This data is only a guide. The final responsibility for the design of the well lies with the well designer/installer.



25 Whaley Avenue, PO Box 310, Milverton, ON CANADA N0K 1M0  
Tel: 800-561-3164

[boshart.com](http://boshart.com) ♦ [blog.boshart.com](http://blog.boshart.com)