

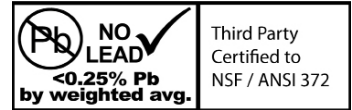
17CVSS SERIES 304 STAINLESS STEEL CHECK VALVE (THREADED)

Specification:

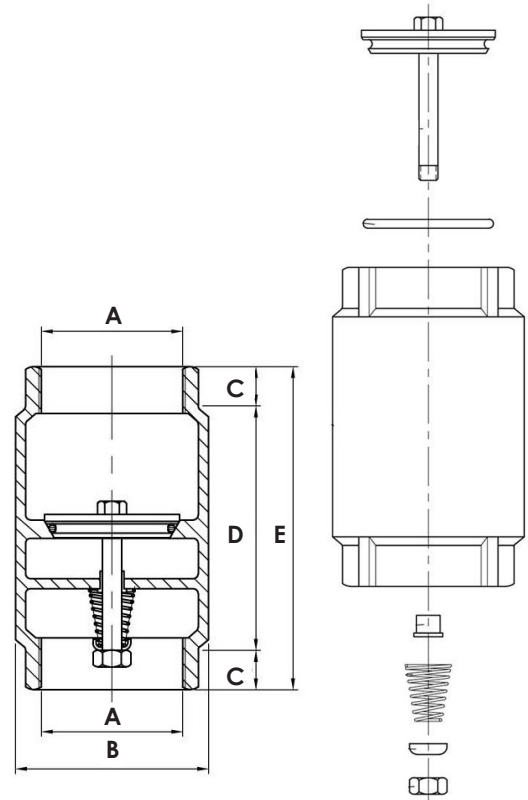
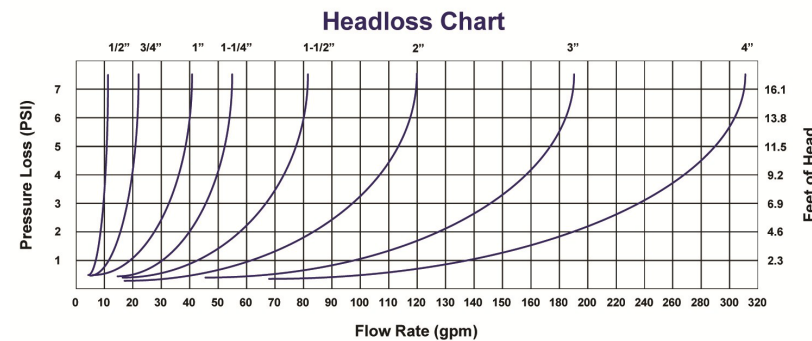
- Threads conform to ANSI/ASME B1.20.1
- Max Pressure Rating: 200 PSI
- 200 PSI WOG Non-Shock - WOG pressure rating based on ambient temperature
- Max Temperature Rating: 180°F (82°C)
- Cast 304 stainless steel body and poppet
- Viton o-ring seal

Certification:

- NSF/ANSI Standard 372 Certified



MATERIAL LIST	
Part Name	Material
Hex Nut	304 Stainless Steel
Cup Washer	304 Stainless Steel
Spring	304 Stainless Steel
Bushing	Polyethylene
Body	304 Stainless Steel
O-ring	Viton
Poppet	304 Stainless Steel



DIMENSIONS										
Part No.	A	B		C		D		E		Weight grams
		inches	mm	inches	mm	inches	mm	inches	mm	
17CVSS-050	1/2" FPT	1.26	32.00	0.39	10.01	1.64	41.81	2.43	61.79	170
17CVSS-075	3/4" FPT	1.49	38.00	0.40	10.21	1.90	48.49	2.71	69.01	230
17CVSS-100	1" FPT	1.77	45.01	0.47	11.99	2.28	57.99	3.22	81.99	330
17CVSS-125	1-1/4" FPT	2.12	54.00	0.53	13.49	2.55	65.00	3.62	91.99	550
17CVSS-150	1-1/2" FPT	2.36	59.99	0.61	15.49	2.82	71.70	4.04	102.69	650
17CVSS-200	2" FPT	3.03	76.99	0.65	16.51	3.74	95.00	5.03	127.99	1240
17CVSS-300	3" FPT	4.21	107.00	1.18	30.00	4.92	124.99	7.28	184.99	4050
17CVSS-400	4" FPT	5.51	140.00	1.96	50.01	6.45	164.01	10.39	264.01	8070
17CVSSMF-125-100	1" FPT x 1-1/4" MPT	1.77	45.01	0.47	11.99	2.28	57.99	3.22	81.99	370



25 Whaley Avenue, PO Box 310, Milverton, ON CANADA N0K 1M0
Tel: 800-561-3164

boshart.com ♦ blog.boshart.com