

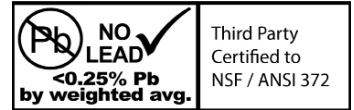
0882-07NL SERIES NO LEAD BRASS SELF DRAINING VACUUM BREAKER

SPECIFICATION:

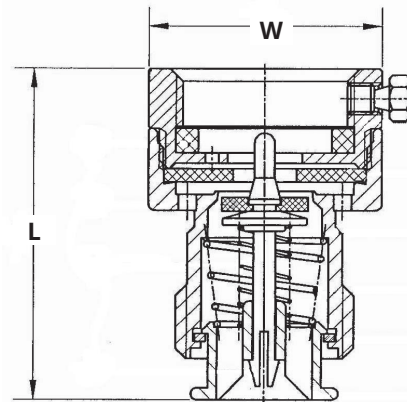
- Max Pressure Rating: 125 PSI
- Max Temperature Rating: 180°F (82°C)
- Self draining design to prevent back siphonage and backflow into potable water supply
- Automatically drains when all hose attachments are removed, protecting the valve or faucet from freezing in colder weather
- Break away set screw to ensure a permanent vandal-proof installation

CERTIFICATION:

- ASSE Standard 1011 Certified
- CSA Standard B64.2 Certified
- NSF/ANSI Standard 372 Certified



MATERIAL LIST	
Name	Material
Packing	Rubber NBR
Bolt	No Lead Brass
Hose Bonnet	No Lead Brass
Packing	Rubber NBR
Hose Body	No Lead Brass
Spring	Stainless Steel 304
Snap Ring	Acetal
Packing	Rubber NBR
Spring Seat	Acetal
Spring	Stainless Steel 304
Knob	Acetal



DIMENSIONS							
Part No.	Inlet	Outlet	W		L		Weight grams
			inches	mm	inches	mm	
0882-07NL	3/4" FGHT	3/4" MGHT	1.38	35.00	1.97	50.00	120



25 Whaley Avenue, PO Box 310, Milverton, ON CANADA N0K 1M0
Tel: 800-561-3164

boshart.com ♦ blog.boshart.com