

0881-07 SERIES BRASS VACUUM BREAKER

SPECIFICATION:

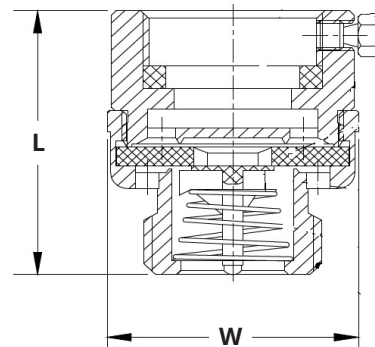
- Max Pressure Rating: 125 PSI
- Max Temperature Rating: 180°F (82°C)
- Designed to prevent back siphonage into potable water supply
- Break away set screw to ensure a permanent vandal-proof installation.

CERTIFICATION:

- ASSE Standard 1011 Certified
- CSA Standard B64.2 Certified



MATERIAL LIST	
Name	Material
Packing	Rubber NBR
Set Screw	Stainless Steel 304
Bonnet	Brass
Washer	Brass
Packing	Rubber NBR
Spring Seat	Acetal
Spring	Stainless Steel 304
Body	Brass



DIMENSIONS							
Part No.	Inlet	Outlet	W		L		Weight grams
			inches	mm	inches	mm	
0881-07	3/4" FGHT	3/4" MGHT	1.42	36.00	1.69	43.00	108

BOSHART
INDUSTRIES

25 Whaley Avenue, PO Box 310, Milverton, ON CANADA N0K 1M0
Tel: 800-561-3164

boshart.com ♦ blog.boshart.com