

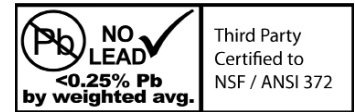
0881-07NL SERIES NO LEAD BRASS VACUUM BREAKER

SPECIFICATION:

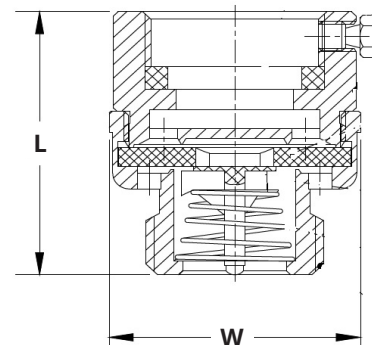
- Max Pressure Rating: 125 PSI
- Max Temperature Rating: 180°F (82°C)
- Designed to prevent back siphonage into potable water supply
- Break away set screw to ensure a permanent vandal-proof installation

CERTIFICATION:

- ASSE Standard 1011 Certified
- CSA Standard B64.2 Certified
- NSF/ANSI Standard 372 Certified



| MATERIAL LIST | |
|---------------|---------------------|
| Name | Material |
| Packing | Rubber NBR |
| Set Screw | Stainless Steel 304 |
| Bonnet | No Lead Brass |
| Washer | No Lead Brass |
| Packing | Rubber NBR |
| Spring Seat | Acetal |
| Spring | Stainless Steel 304 |
| Body | No Lead Brass |



| DIMENSIONS | | | | | | | |
|------------|-----------|-----------|--------|-------|--------|-------|--------------|
| Part No. | Inlet | Outlet | W | | L | | Weight grams |
| | | | inches | mm | inches | mm | |
| 0881-07NL | 3/4" FGHT | 3/4" MGHT | 1.42 | 36.00 | 1.69 | 43.00 | 108 |



25 Whaley Avenue, PO Box 310, Milverton, ON CANADA N0K 1M0
Tel: 800-561-3164

boshart.com ♦ blog.boshart.com