

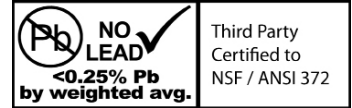
# 0872-NL SERIES NO LEAD BRASS BENT NOSE GARDEN VALVE

## Specification:

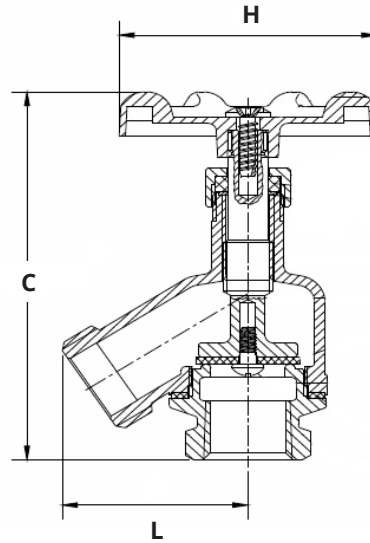
- Inlet threads conform to ANSI/ASME B1.20.1
- Outlet thread is 3/4" GHT
- Max Pressure Rating: 125 PSI
- Max Temperature Rating: 160°F (71°C)

## Certification:

- NSF/ANSI Standard 372 Certified
- CSA Standard B125.1 Certified



MATERIAL LIST	
Part Name	Material
Handle Bolt	Steel
Name Plate	Aluminium
Handle	Green Rubber Coated Zinc
Packing Nut	No Lead Brass
Gland Packing	Graphite
Washer	Stainless Steel
Body	No Lead Brass
Stem	No Lead Brass
Seat Packing	Rubber NBR
Seat Screw	No Lead Brass
Packing	Fibre "H"
Bonnet	No Lead Brass



		DIMENSIONS						
Part No.	Description	H		L		C		Weight grams
		inches	mm	inches	mm	inches	mm	
0872-07NL	3/4" FPT	2.46	62.50	4.41	112.00	1.75	44.50	296
0872-10NL	1" FPT	2.46	62.50	4.57	116.00	1.75	44.50	341

**BOSHART**  
INDUSTRIES

25 Whaley Avenue, PO Box 310, Milverton, ON CANADA N0K 1M0  
Tel: 800-561-3164

[boshart.com](http://boshart.com) ♦ [blog.boshart.com](http://blog.boshart.com)