

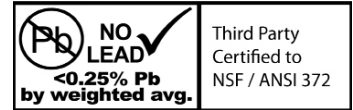
0861-NL SERIES NO LEAD NON-FREEZE LAWN FAUCETS

SPECIFICATION:

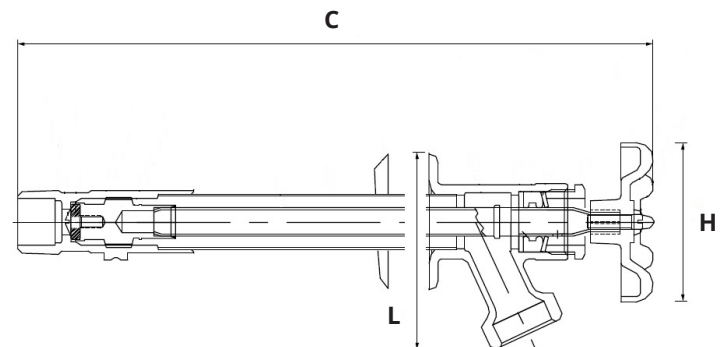
- Threads conform to ANSI/ASME B1.20.1
- Sweat connection conforms to ANSI B16.18
- Max Pressure Rating: 125 PSI
- Max Temperature Rating: 120°F (48°C)
- Hose thread outlet 3/4" GHT
- Chrome plated no lead brass body and tube
- Black cast hand wheel

CERTIFICATION:

- NSF/ANSI Standard 61 & 372 Certified
- CSA Standard B125.1 Certified



MATERIAL LIST	
Part Name	Material
Handle Bolt	No Lead Brass
Name Plate	Aluminum
Handwheel	Zinc
Bonnet	No Lead Brass
Washer	Stainless Steel
Stem Packing	Rubber NBR
Washer	Stainless Steel
Body	No Lead Brass
Tube	No Lead Brass
Stem Pipe	No Lead Brass
Stem	No Lead Brass
Seat	No Lead Brass
Seat Packing	Rubber NBR
Seat Screw	No Lead Brass
Insert	Plastic



DIMENSIONS								
Part No.	Description	H		C		L		Weight grams
		inches	mm	inches	mm	inches	mm	
0861-080NL	1/2" MPT x CxC	2.15	54.50	12.65	321.00	2.84	72.00	356
0861-100NL	1/2" MPT x CxC	2.15	54.50	14.66	372.00	2.84	72.00	437
0861-120NL	1/2" MPT x CxC	2.15	54.50	16.67	423.00	2.84	72.00	446
0861-140NL	1/2" MPT x CxC	2.15	54.50	18.68	474.00	2.84	72.00	491

BOSHART
INDUSTRIES

25 Whaley Avenue, PO Box 310, Milverton, ON CANADA N0K 1M0
Tel: 800-561-3164

boshart.com ♦ blog.boshart.com