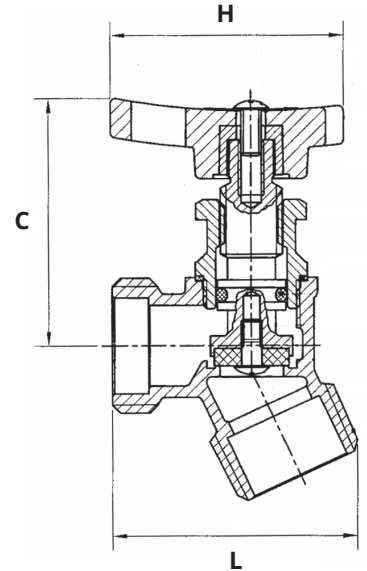
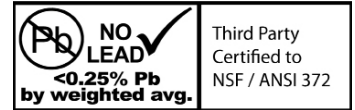


# 0845SFA-NL SERIES NO LEAD BRASS SEDIMENT FAUCETS - O-RING DESIGN

## SPECIFICATION:

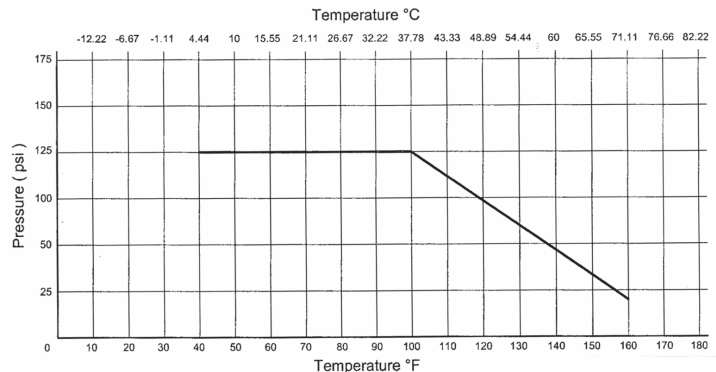
- Inlet threads conform to ANSI/ASME B1.20.1
- Outlet thread is 3/4" GHT
- Max Pressure Rating: 125 PSI
- Max Temperature Rating: 160°F (71°C)
- Stem packing material: Rubber (NBR) O-ring
- Seat material: Rubber (NBR)
- Blue ABS triangular Handle
- With O-ring design, the seal is below the threads and never exposed to water.
- Traditional packing style valves are constantly submerged in water and become corroded quicker in aggressive water conditions.
- To prevent damage to NBR O-rings, stem must be removed before soldering.



## CERTIFICATION:

- NSF/ANSI Standard 61 & 372 Certified
- CSA Standard B125.1 Certified

| MATERIAL LIST |                |
|---------------|----------------|
| Part Name     | Material       |
| Handle Bolt   | Steel          |
| Name Plate    | Aluminum       |
| Handle        | Triangular-ABS |
| Handle Seat   | Polycarbonate  |
| Bonnet        | No Lead Brass  |
| Packing       | Fibre "H"      |
| O-Ring        | Rubber NBR     |
| Stem          | No Lead Brass  |
| Seat Packing  | Rubber NBR     |
| Seat Screw    | No Lead Brass  |
| Body          | No Lead Brass  |



| DIMENSIONS   |             |        |       |        |       |        |       |              |
|--------------|-------------|--------|-------|--------|-------|--------|-------|--------------|
| Part No.     | Description | H      |       | C      |       | L      |       | Weight grams |
|              |             | inches | mm    | inches | mm    | inches | mm    |              |
| 0845SFA-05NL | 1/2" MPT    | 1.80   | 46.00 | 1.90   | 49.00 | 1.80   | 46.00 | 153          |
| 0845SFA-07NL | 3/4" MPT    | 1.80   | 46.00 | 1.90   | 49.00 | 1.90   | 48.50 | 170          |



25 Whaley Avenue, PO Box 310, Milverton, ON CANADA N0K 1M0  
Tel: 800-561-3164

[boshart.com](http://boshart.com) ♦ [blog.boshart.com](http://blog.boshart.com)